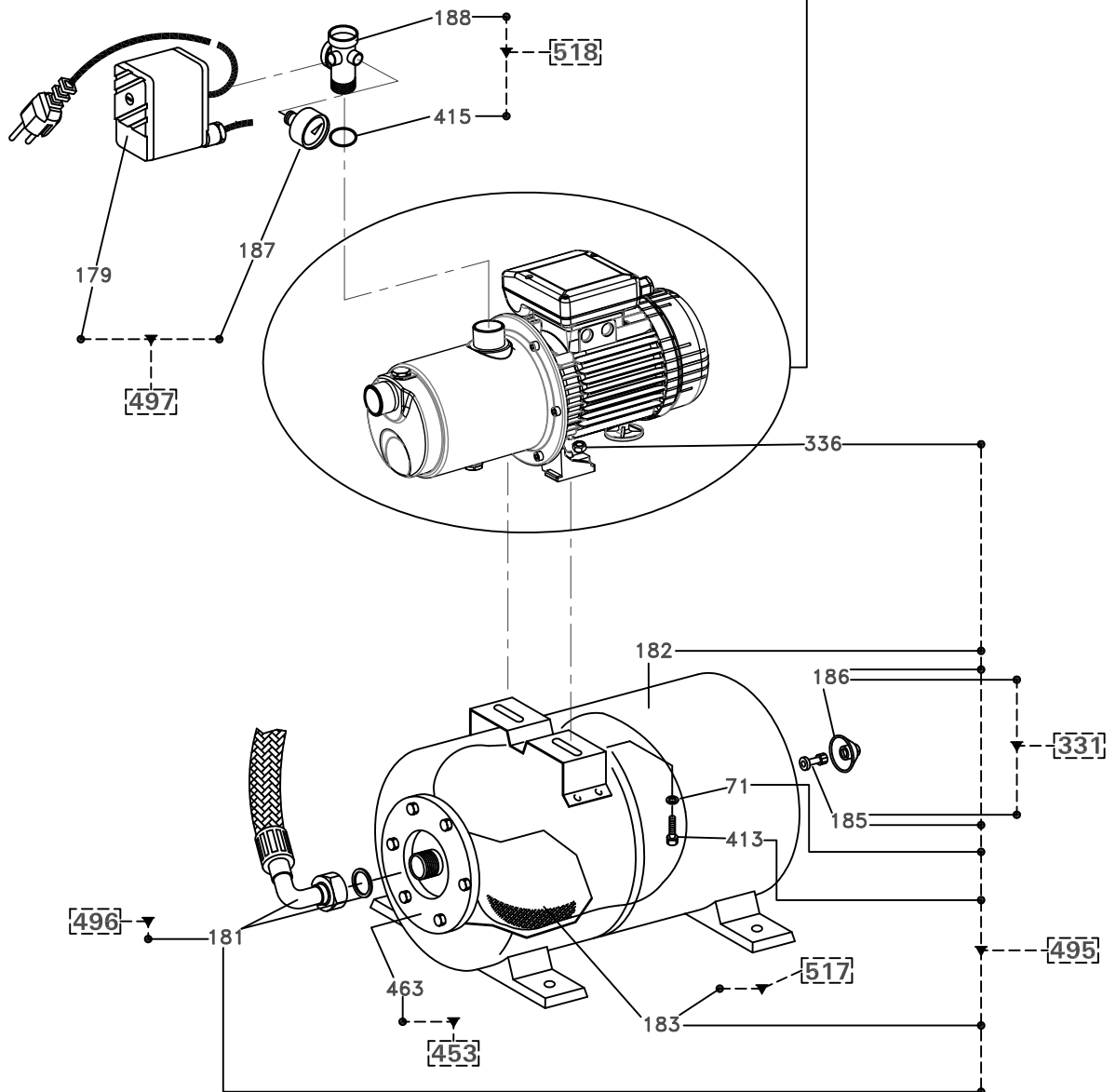


(I) Per i ricambi della sola pompa fare riferimento alla tabella  
 (GB) For the pump's spare parts refer to the table  
 (D) Für die Ersatzteile der Pumpe beziehen Sie sich auf die Tabelle  
 (E) Regardez la table pour les pièces détachés de la pompe

WP/Multi EVO-A 3-40 M	Multi EVO-A 3-40 M
WP/Multi EVO-A 3-40 M-50l	Multi EVO-A 3-40 M
WP/Multi EVO-A 5-50 M-50l	Multi EVO-A 5-50 M
WP/Multi EVO-A 5-50 M-SS	Multi EVO-A 5-50 M



**Pentair Water Italy S.r.l.**  
 Via Masaccio, 13  
 56010 Lignano (PI)  
 ITALY

Drawn A.Bertola  
 Approved M.Bernacca

Title WP/Multi EVO-A 3 - 5 m<sup>3</sup>/h  
 Date (dd/mm/yy) 11/11/2014

Dwg # DR140010\_00  
 Sheet 1 of 1

This drawing is the absolute property of Pentair Water Italy S.r.l. It may not be reproduced in any form without the written permission of Pentair Water Italy S.r.l.