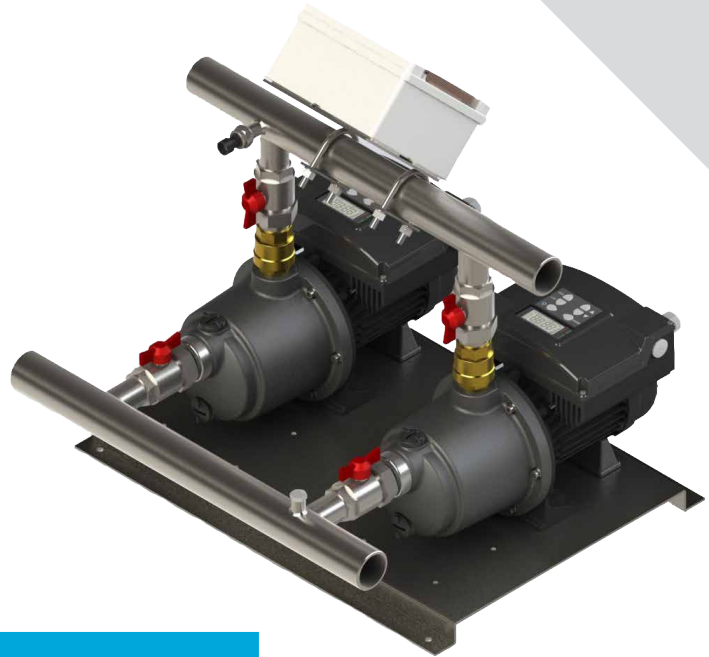


## VARIO 1-20/MULTI EVO-E P PRESSURE BOOSTER UNIT WITH TWO VARIABLE SPEED PUMPS

Compact, Robust, High hydraulic performance

The new series of VARIO 1-20 variable speed pressurization units represent a reliable, easy-to-use solution in residential and commercial applications. The system consists in the parallel installation of two inverters, incorporated directly onto the motor of each installed electric pump. The two frequency converters communicate and alternate the starting order of each operating cycle, maintaining a constant pressure in the distribution system.



USE DATA	VARIO 1-20/MULTI EVO-E P
Maximum flow (m <sup>3</sup> /h)	14,4
Maximum head (m.c.a.)	60
Maximum operating pressure	7 bar
Power supply voltage	1 ~ 230 V
Frequency	50 Hz
Protection class control board	IP55
Protection class electric pump	IP55
Room temperature	40°C
Number of pumps	2



### APPLICATIONS

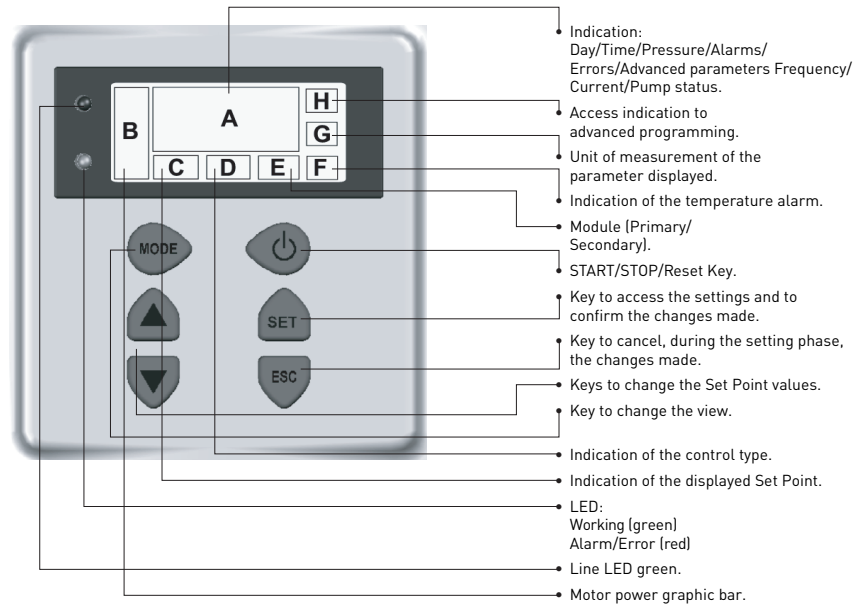
- Lifts and distributes water in domestic systems
- Pressurization systems
- Irrigation
- Cleaning systems



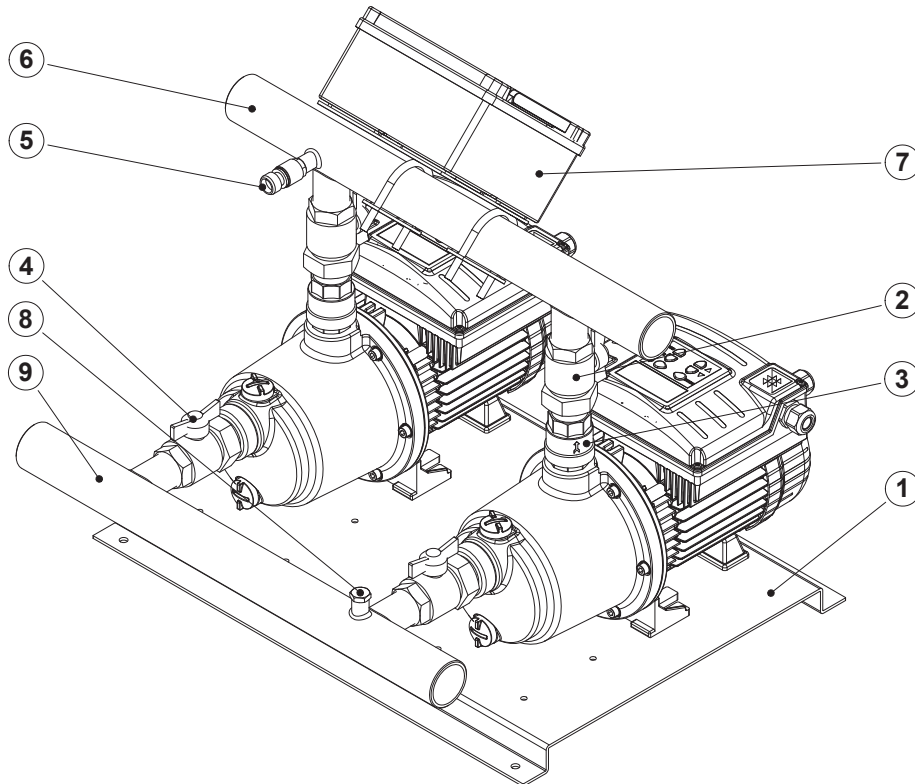
# VARIO 1-20/MULTI EVO-E P

## PRESSURE BOOSTER UNIT WITH TWO VARIABLE SPEED ELECTRIC PUMPS

### DESIGN FEATURES



- Backlight display (switches off automatically after a reset time and can be turned on again by pressing any key)



#### BASE

1. Base in zinc-coated sheet metal

#### OUTLET MANIFOLD

2. no. 2 brass ball valves
3. no. 2 retainer valves
5. no. 1 pressure sensors
6. no. 1 manifold in zinc-coated steel
7. no. 1 power board with thermal magnetic circuit breaker protection

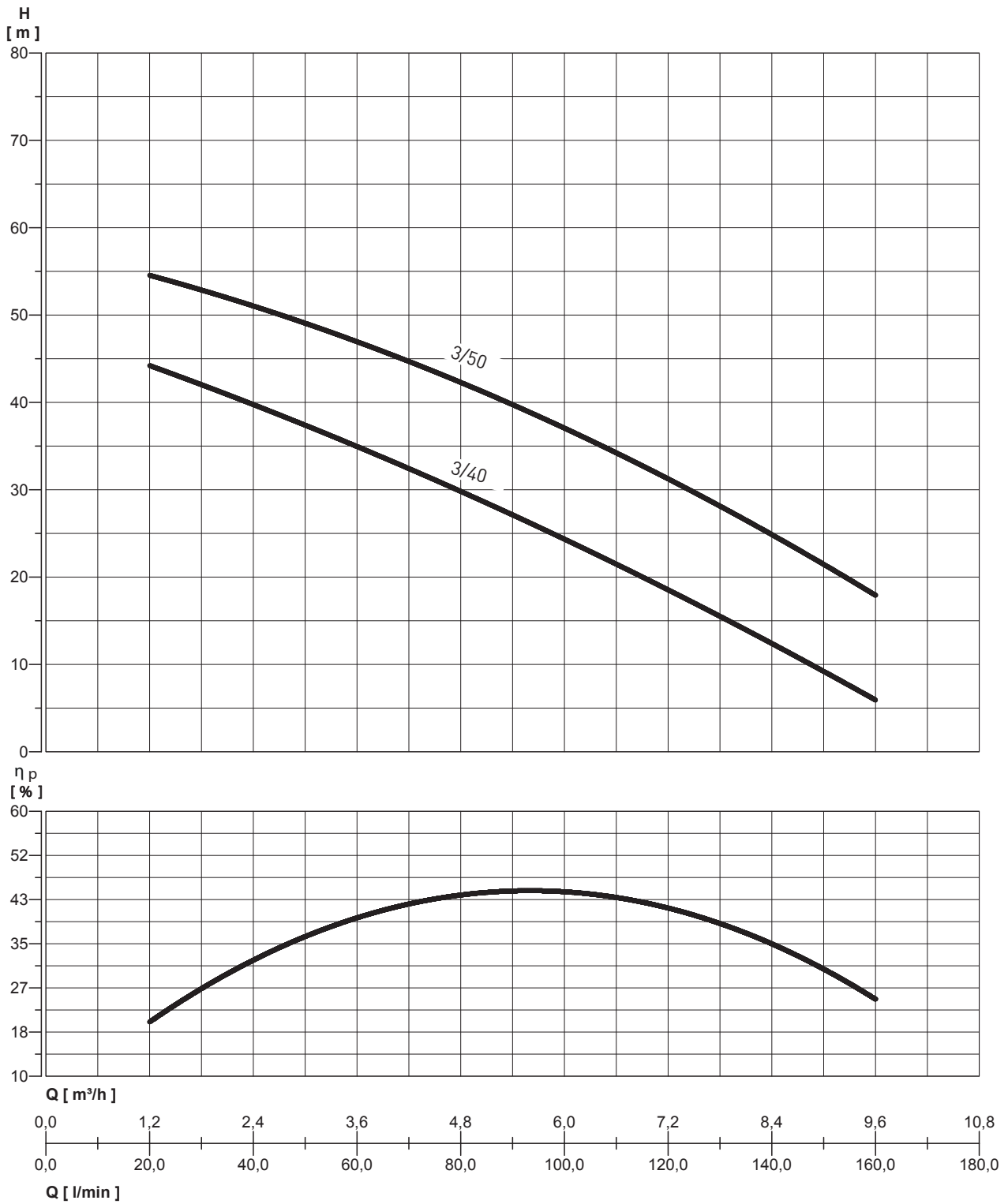
#### INTAKE MANIFOLD

4. no. 2 brass ball valves
8. no. 1 water intake sleeve
9. no. 1 manifold in zinc-coated steel

# VARIO 1-20/MULTI EVO-E 3 P

PRESSURE BOOSTER UNIT WITH TWO VARIABLE SPEED ELECTRIC PUMPS

## HYDRAULIC PERFORMANCE

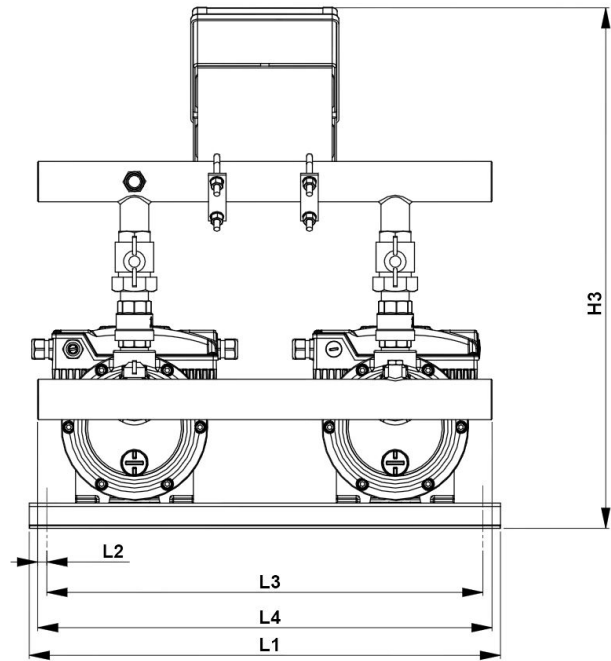
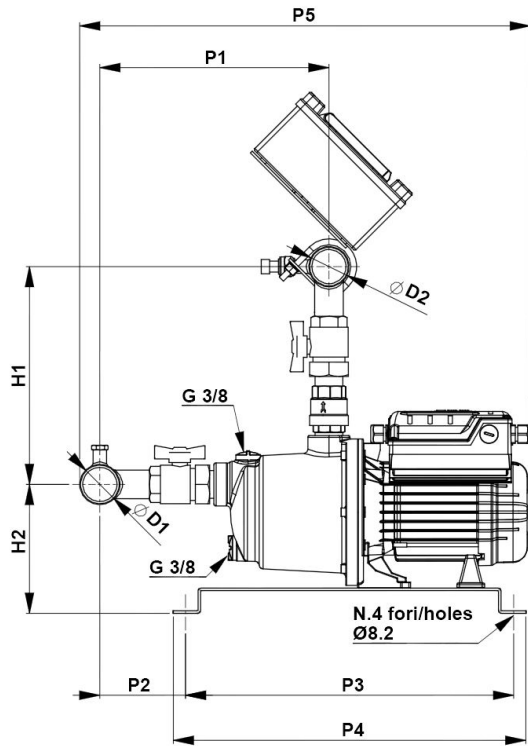


# VARIO 1-20/MULTI EVO-E 3 P

PRESSURE BOOSTER UNIT WITH TWO VARIABLE SPEED ELECTRIC PUMPS

## PERFORMANCE TABLE

MODEL	Absorbed power (P1) kW	VOLT. (V)	In (A)	0	total head in water column mm metres													
					l/min	20	40	60	80	100	120	160						
VARIO1-20/MULTI EVO-E 3-40 P	2 x 0,8	1~ 230	2 x 5,3		1,2	2,4	3,6	4,8	6	7,2	9,6	44	40	35	30	24	18,5	6
VARIO1-20/MULTI EVO-E 3-50 P	2 x 1	1~ 230	2 x 7									54,5	51	47	42,5	37	31	18



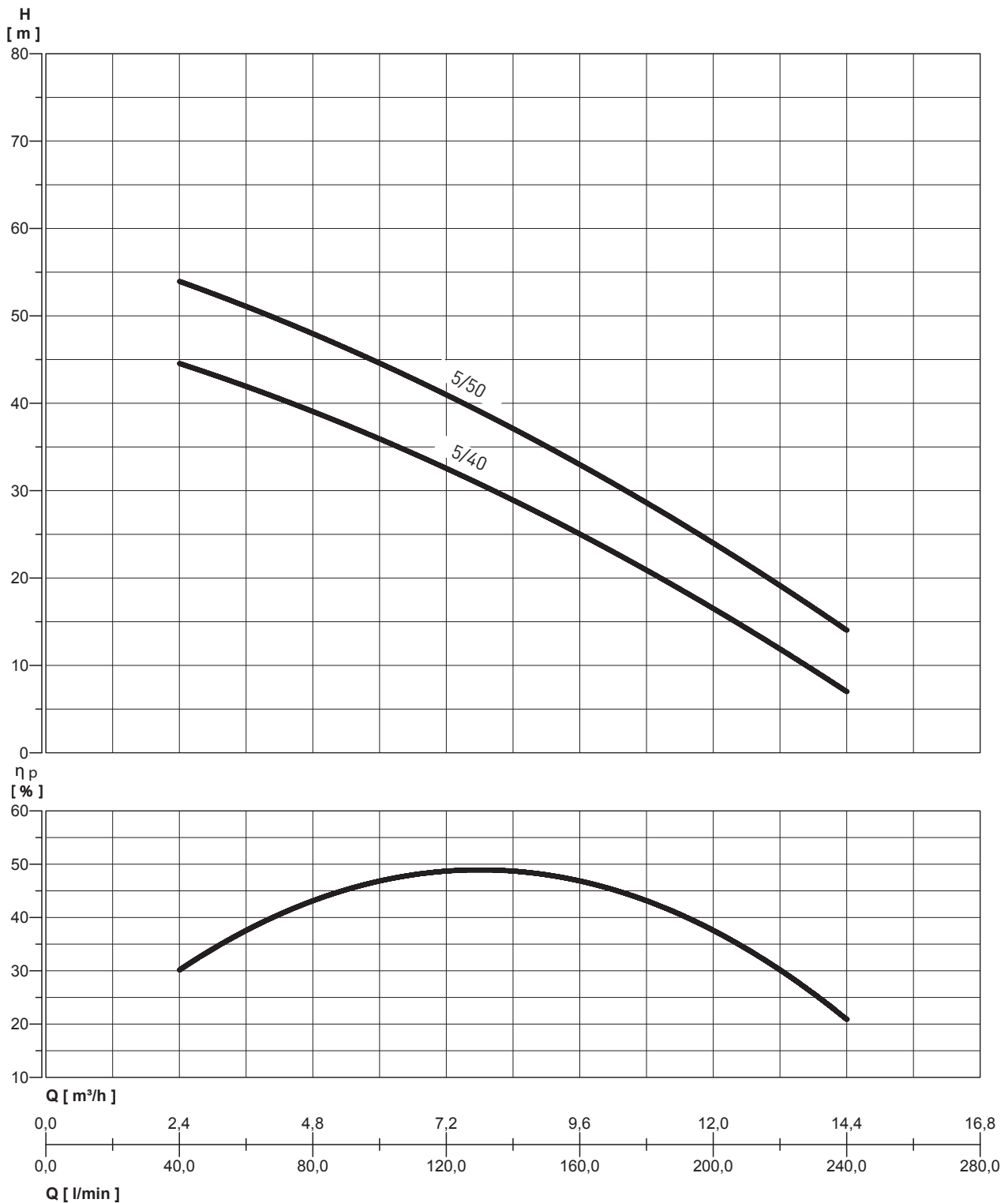
## OVERALL DIMENSIONS AND WEIGHTS

MODEL	Dimensions mm.														WEIGHT (Kg)
	L1	L2	L3	L4	P1	P2	P3	P4	P5	H1	H2	H3	ØD1	ØD2	
VARIO1-20/MULTI EVO-E 3-40 P	560	15	510	540	272	102	390	420	535	260	153	615	1"1/2	1"1/2	44,6
VARIO1-20/MULTI EVO-E 3-50 P	560	15	510	540	272	102	390	420	552	260	153	615	1"1/2	1"1/2	48,6

# VARIO 1-20/MULTI EVO-E 5 P

PRESSURE BOOSTER UNIT WITH TWO VARIABLE SPEED ELECTRIC PUMPS

## HYDRAULIC PERFORMANCE

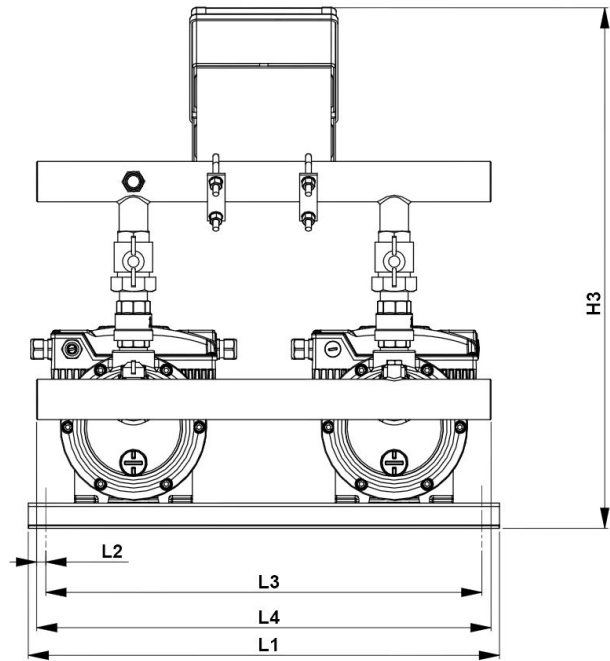
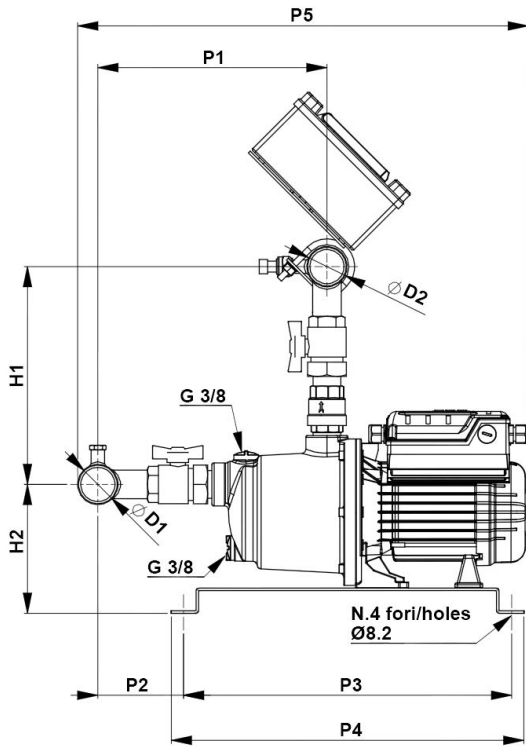


# VARIO 1-20/MULTI EVO-E 5 P

PRESSURE BOOSTER UNIT WITH TWO VARIABLE SPEED ELECTRIC PUMPS

## PERFORMANCE TABLE

MODEL	Absorbed power (P1) kW	VOLT. (V)	In (A)	0	l/min	40	60	80	100	120	160	200	240
					m <sup>3</sup> /h	2,4	3,6	4,8	6	7,2	9,6	12	14,4
VARIO1-20/MULTI EVO-E 5-40 P	2 x 1	1~230	2 x 7	total head in water column metres	44,5	42	39	36	32,5	25	16,5	7	
VARIO1-20/MULTI EVO-E 5-50 P	2 x 1,25	1~230	2 x 8,5		54	51	48	44,5	41	33	24	14	



## OVERALL DIMENSIONS AND WEIGHTS

MODEL	Dimensions mm.														WEIGHT (Kg)
	L1	L2	L3	L4	P1	P2	P3	P4	P5	H1	H2	H3	ØD1	ØD2	
VARIO1-20/MULTI EVO-E 5-40 P	560	15	510	540	272	102	390	420	552	260	153	615	1"1/2	1"1/2	48,6
VARIO1-20/MULTI EVO-E 5-50 P	560	15	510	540	272	102	390	420	552	260	153	615	1"1/2	1"1/2	51,2