

# VARIO 1-20/MULTI EVO-E P

## BOOSTER SETS - VARIABLE SPEED

- Compact dimensions
- Robust
- High hydraulic performance
- Easy to use



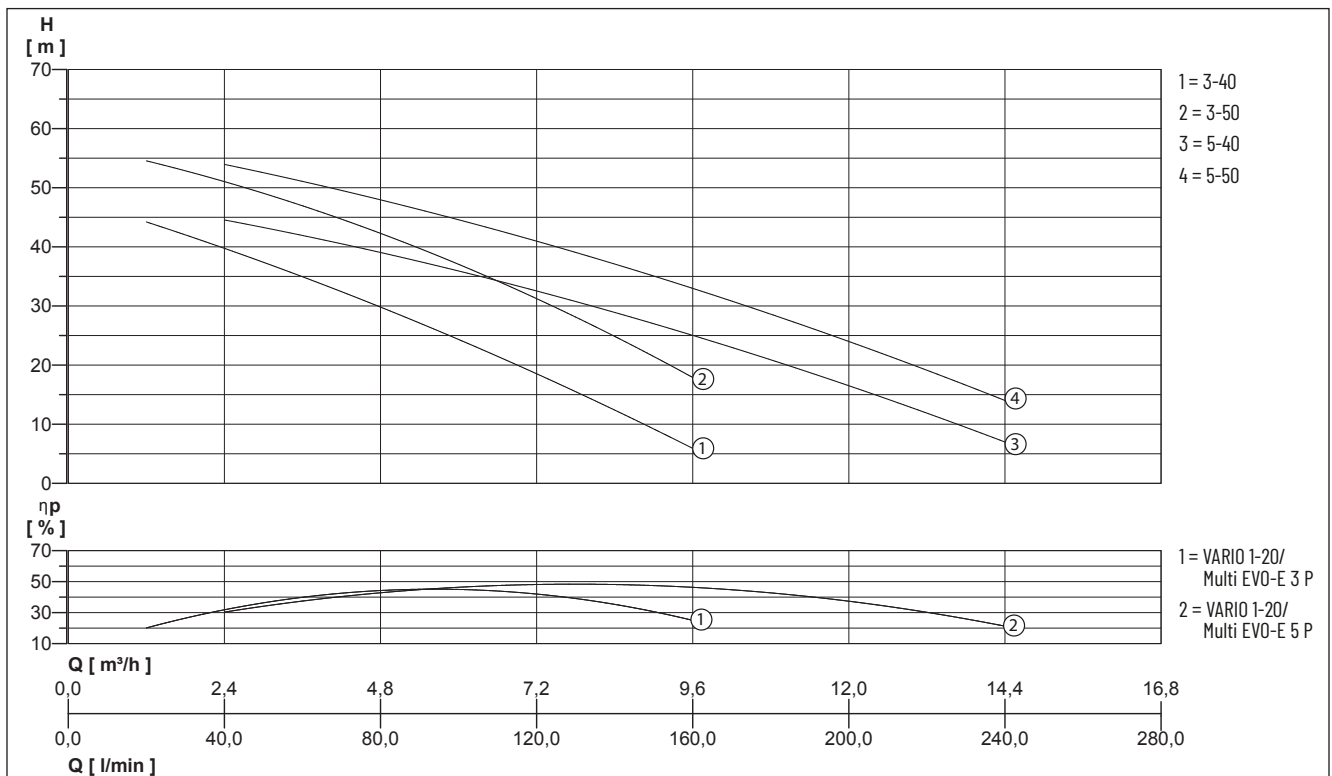
### DESCRIPTION

The new series of VARIO 1-20 variable speed pressurization units represent a reliable, easy-to-use solution in residential and commercial applications. The system consists in the parallel installation of two inverters, incorporated directly onto the motor of each installed electric pump. The two frequency converters communicate and alternate the starting order of each operating cycle, maintaining a constant pressure in the distribution system.

### APPLICATIONS

- Lifts and distributes water in domestic systems
- Pressurization systems
- Washing systems
- Irrigation

### PERFORMANCE



We reserve the right to change specifications without notice. Pump performance is subject to ISO 9906 ISO 9906:2012 - Grade 3B tolerances.

Type	Flow rate Q [m <sup>3</sup> /h]	1.2	2.4	3.6	4.8	6	7.2	9.6	12	14.4
VARIO1-20/Multi EVO-E 3-40 P	Delivery head H [m]	44.0	40.0	35.0	30.0	24.0	18.5	6.0		
VARIO1-20/Multi EVO-E 3-50 P		54.5	51.0	47.0	42.5	37.0	31.0	18.0		
VARIO1-20/Multi EVO-E 5-40 P			44.5	42.0	39.0	36.0	32.5	25.0	16.5	7.0
VARIO1-20/Multi EVO-E 5-50 P			54.0	51.0	48.0	44.5	41.0	33.0	24.0	14.0

# VARIO 1-20/MULTI EVO-E P

BOOSTER SETS - VARIABLE SPEED

## MECHANICAL DATA

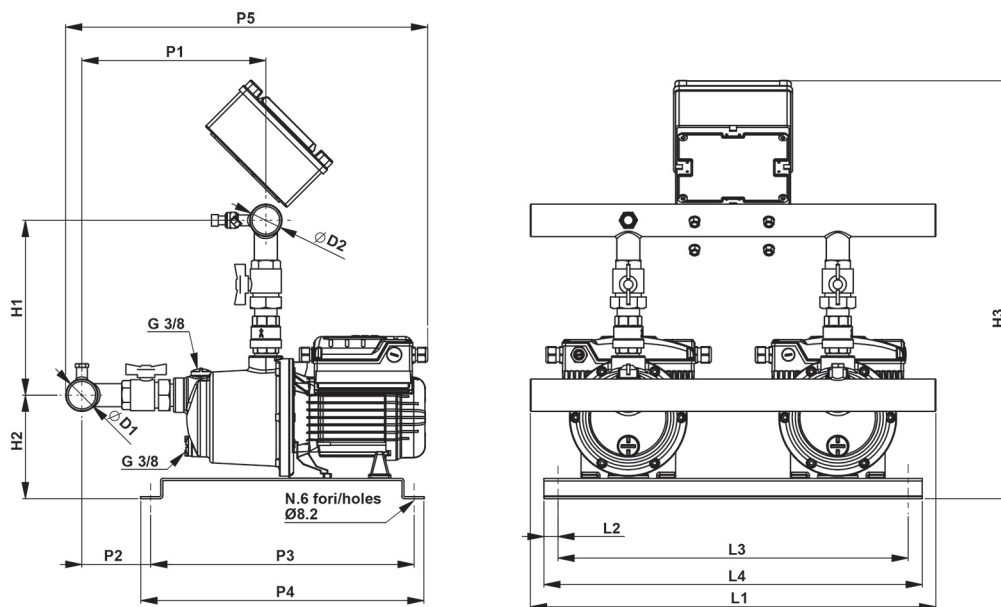
Operating pressure max.	7 bar
-------------------------	-------

## ELECTRICAL DATA

Voltage	1/N/PE~230 V	Ambient temperature max.	40 °C
Type of enclosure	IP 55	Frequency	50 Hz

## VARIO 1-20/MULTI EVO-E P

Type	Code No.	Motor rating 2xP1	Current 2xI	Weight
VARIO1-20/Multi EVO-E 3-40 P	UI601990	0.80 kW	5.1 A	44.6 kg
VARIO1-20/Multi EVO-E 3-50 P	UI602000	1.00 kW	7.0 A	48.6 kg
VARIO1-20/Multi EVO-E 5-40 P	UI602010	1.00 kW	7.0 A	48.6 kg
VARIO1-20/Multi EVO-E 5-50 P	UI602020	1.25 kW	8.5 A	51.2 kg



## DIMENSIONS [mm]

Type	L1	L2	L3	L4	P1	P2	P3	P4	P5	H1	H2	H3	D1	D2
VARIO1-20/Multi EVO-E 3-40 P	600	25	490	540	275	115	400	430	550	253	153	615	1 1/2"	1 1/2"
VARIO1-20/Multi EVO-E 3-50 P	600	25	490	540	275	115	400	430	551	253	153	615	1 1/2"	1 1/2"
VARIO1-20/Multi EVO-E 5-40 P	600	25	490	540	275	115	400	430	551	253	153	615	1 1/2"	1 1/2"
VARIO1-20/Multi EVO-E 5-50 P	600	25	490	540	275	115	400	430	551	253	153	615	1 1/2"	1 1/2"