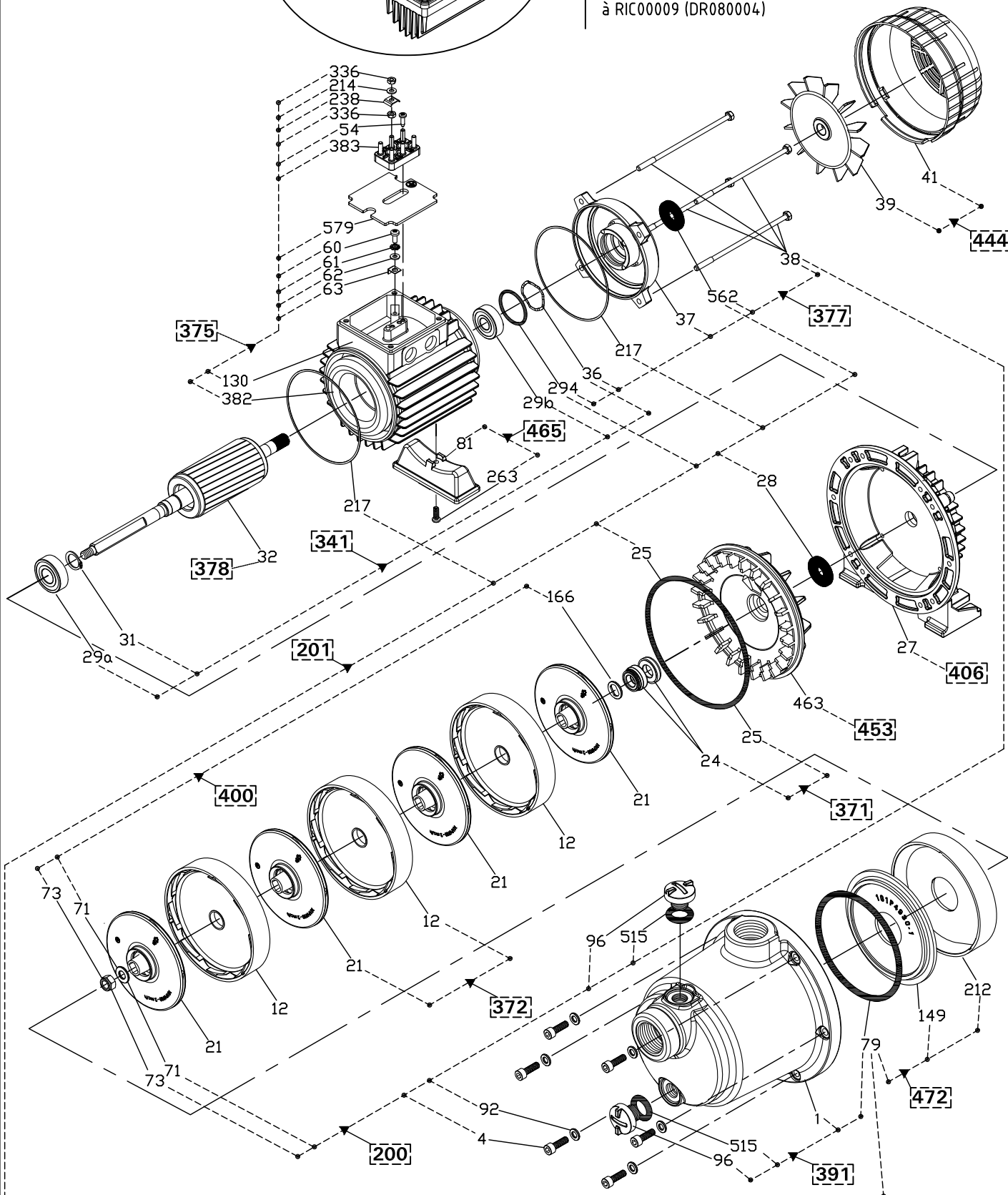


Per i ricambi del CPS riferirsi al RIC00009 (DR080004)
 For the CPS's spare parts refer to RIC00009 (DR080004)
 Für die Ersatzteile der CPS finden sie in
 RIC00009 (DR080004)
 Pour les pièces de rechange de le CPS se réfèrent
 à RIC00009 (DR080004)

B

B



A

A

Pentair Water Italy S.r.l. Via Masaccio,13 56010 Lugnano (PI) ITALY	Drawn A.Bertola	Title Multi EVO-E 3 - 5 P	Sheet 1 of 1
	Approved M.Bernacca	Date (dd/mm/yy) 03/05/2016	Dwg # DR160002_00

This drawing is the absolute property of Pentair Water Italy S.r.l. It may not be reproduced in any form without the written permission of Pentair Water Italy S.r.l.