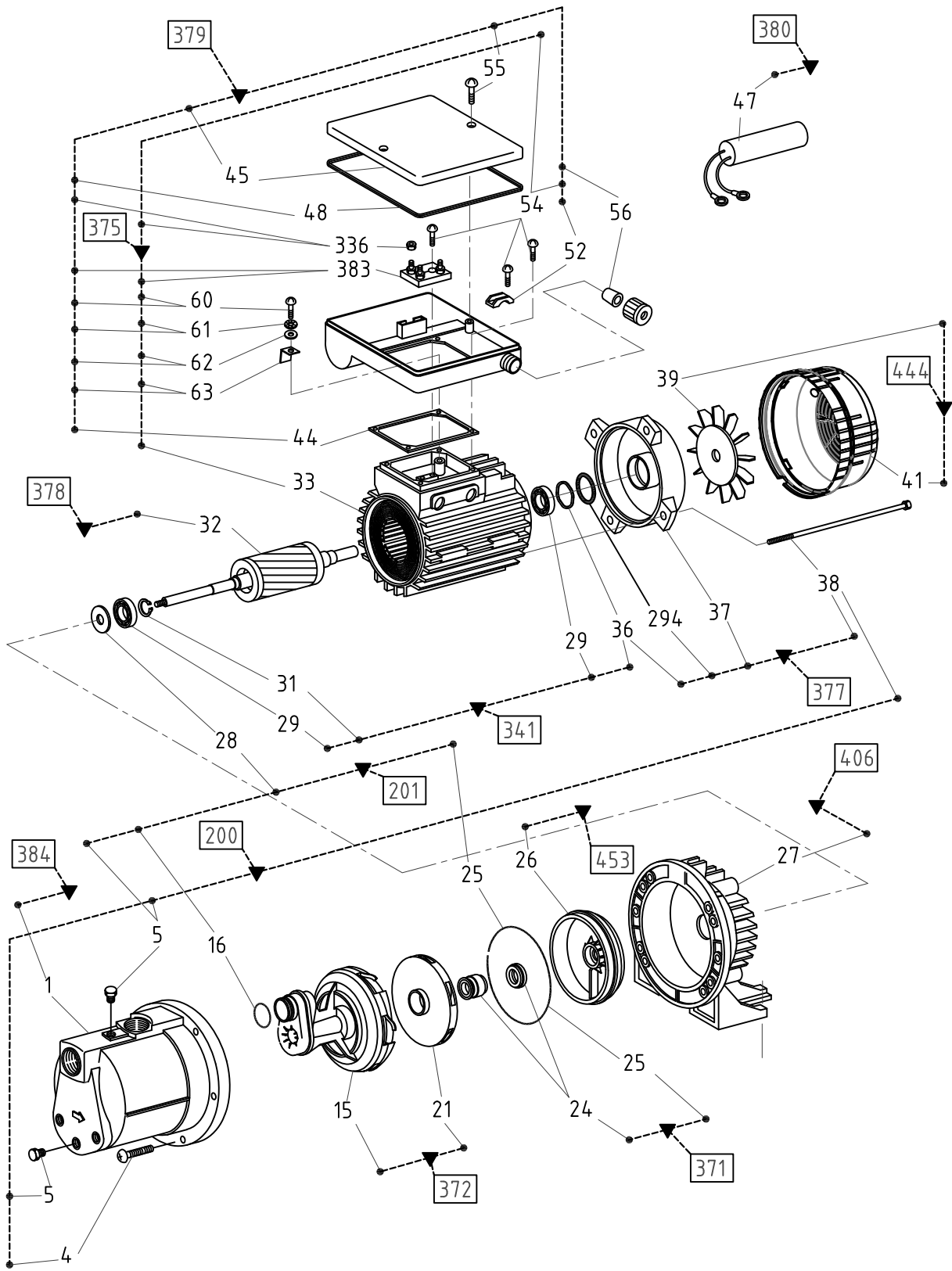


B

B

A

A



Pentair Water Italy S.r.l.  
Via Masaccio,13  
56010 Lugnano (PI)  
ITALY

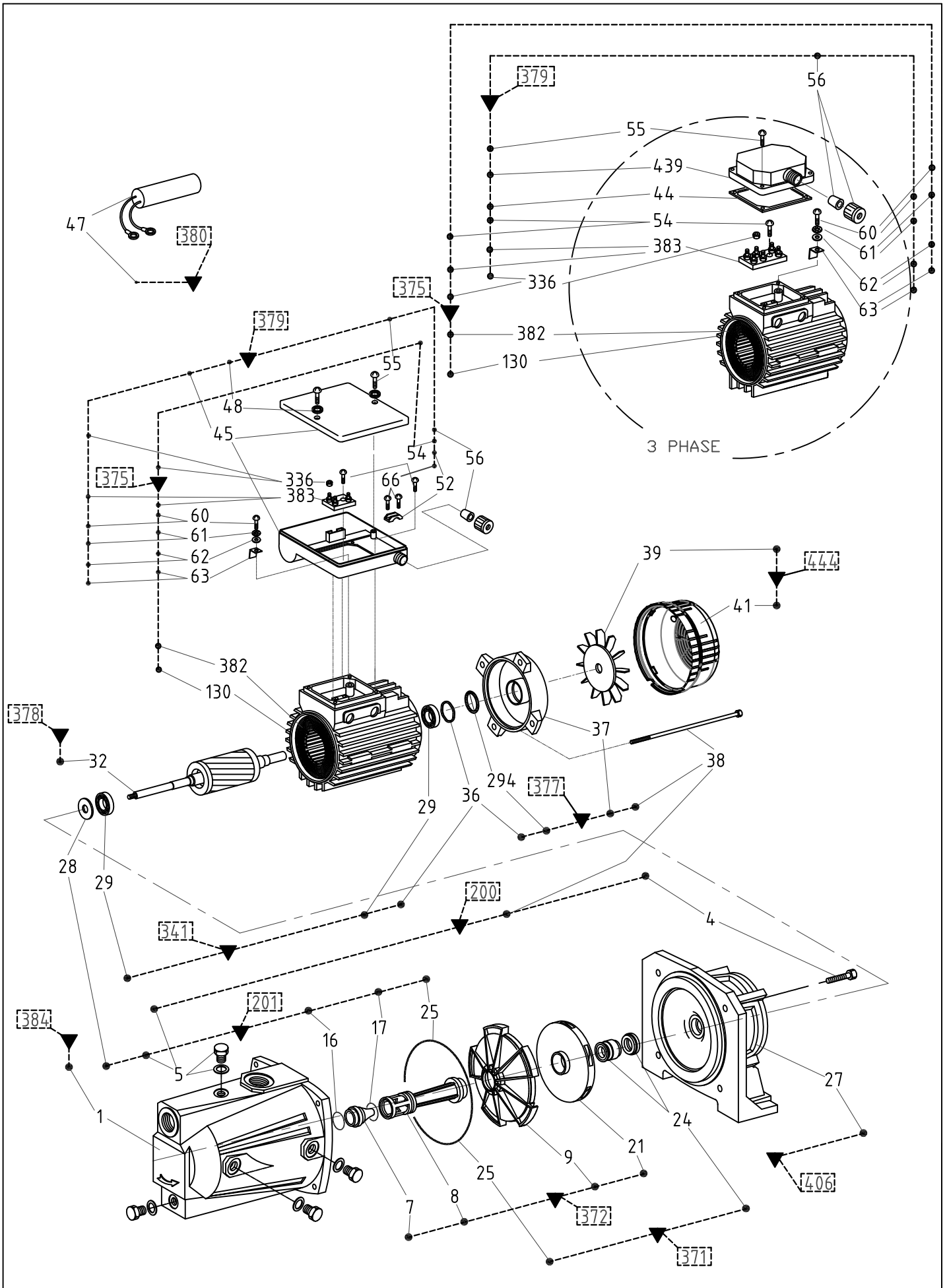
Drawn R.De Ieso  
Approved

Title NEWJET  
Date (dd/mm/yy) 17-10-2011  
Dwg #

Sheet 1 of 1

DR110012\_01

This drawing is the absolute property of Pentair Water Italy S.r.l. It may not be reproduced in any form without the written permission of Pentair Water Italy S.r.l.



<b>PENTAIR</b>	Pentair Water Italy S.r.l. Via Masaccio,13 56010 Lugnano (PI) ITALY	Drawn R.De Ieso	Title JET		Sheet 1 of 1
		Approved -	Date (dd/mm/yy) 24.05.2011	Filename DR110006	Dwg # DR110006_01

