

EASYBOOST

BOOSTER SETS - FIX SPEED

- Compact dimensions
- Sturdy and resistant
- High hydraulic efficiency
- Reliable
- High-efficiency motors according to EU(2019)/1781



DESCRIPTION

They are booster set for the automatic pressurization of water distribution systems with single phase power supply consisting of: 2 pumps, electrical panel, base, intake and delivery manifolds, pressure switches, pressure gauge and check valve in supply.

DESCRIPTION OF OPERATION

The pumps are controlled by two pressure switches with adjustable settings, via an electrical panel with an electronic board for:

- the sequential start-up of the pumps
- the inversion of the start-up order
- the settings for protection against dry running
- timer (adjustable from 0 to 180")

When the mains pressure reaches the value for the closing of the electrical contact of pressure switch n.1, a pump starts. If the pressure continues to drop, once the value of the closing pressure of the second pressure switch has been reached, the other pump starts. When the value of the network pressure increases, the pressure switches open their contact causing the relative pump to stop. At the end of each cycle, the automatic inverter changes the starting order of the pumps (once pressure switch n.1 is associated to pump n.1; in the next cycle to pump n.2).

MECHANICAL DATA

Type of liquid	clean water without suspended solids or abrasive material	Temperature of the liquid max.	40 °C
----------------	---	--------------------------------	-------

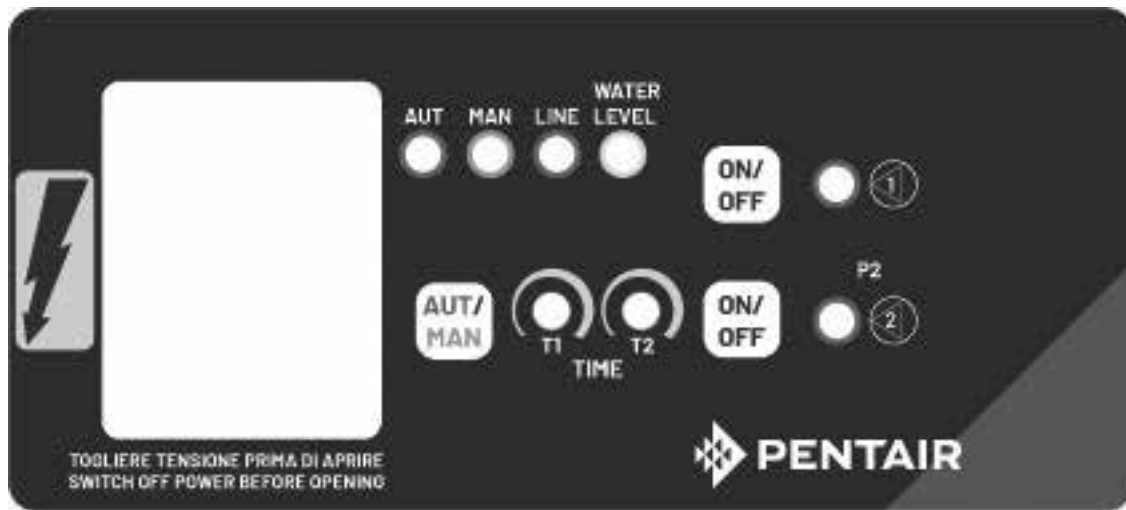
ELECTRICAL DATA

Frequency	50 Hz
-----------	-------

EASYBOOST

BOOSTER SETS - FIX SPEED

SINGLE PHASE ELECTRICAL PANEL



Electrical panel

- Box in plastic material IP65
- Fuses
- Multifunctional electronic board with integrated transformer for the auxiliary circuit
- Start-up relay for each pump
- Protection against overload provided by the electronic board
- Trimmer to adjust the delay time from 0 to 180 seconds, after the opening of the contact of the pressure switch (for each pump)

Main functions

- Cyclic inversion of the start-up order of the pumps after each cycle end
- ON/OFF control of the level of the tank or the pressure of the supply duct by means of a float switch or a different differential pressure switch
- Adjustable timer for the pumps

Signals and controls

- Manual - Automatic button
- ON/OFF buttons for each pump
- LED indicating the presence of power
- LED indicating pump in operation
- LED indicating low level in the collection tank or pressure insufficient in the Suction manifold
- LEDs indicating manual or automatic operation
- BMS with contacts for each pump: pump on and overload

External control devices

- Two adjustable differential pressure switches ON/OFF
- ON/OFF float switch, located in the water collection tank, or
- Reverse pressure switch inserted in the water supply duct (aqueduct)

EASYBOOST

BOOSTER SETS - FIX SPEED

THREE-PHASE ELECTRICAL PANEL



Electrical panel

- Metal box IP54
- Main switch
- Electronic board
- Fuses and contactors for each pump
- Protection against overload provided by the electronic board
- Transformer with fuses for the auxiliary circuit

Main functions

- Cyclic inversion of the start-up order of the pumps after each cycle end
- ON/OFF control of the level of the tank or the pressure of the supply duct by means of a float switch or a differential pressure switch
- Timer of the last pump settable from 0 to 180 seconds, after the opening of the pressure switch operation contact

Signals and controls

- M-0-T button (Manual - 0 - Automatic)
- ON/OFF buttons for each pump
- LED indicating the presence of power
- LED indicating pump in operation
- LED indicating low level in the collection tank or pressure insufficient in the Suction manifold
- LED indicating overload
- LEDs indicating manual or automatic operation
- BMS with contacts for each pump: pump on, overload and no water alarm
- Communication RS232/RS485

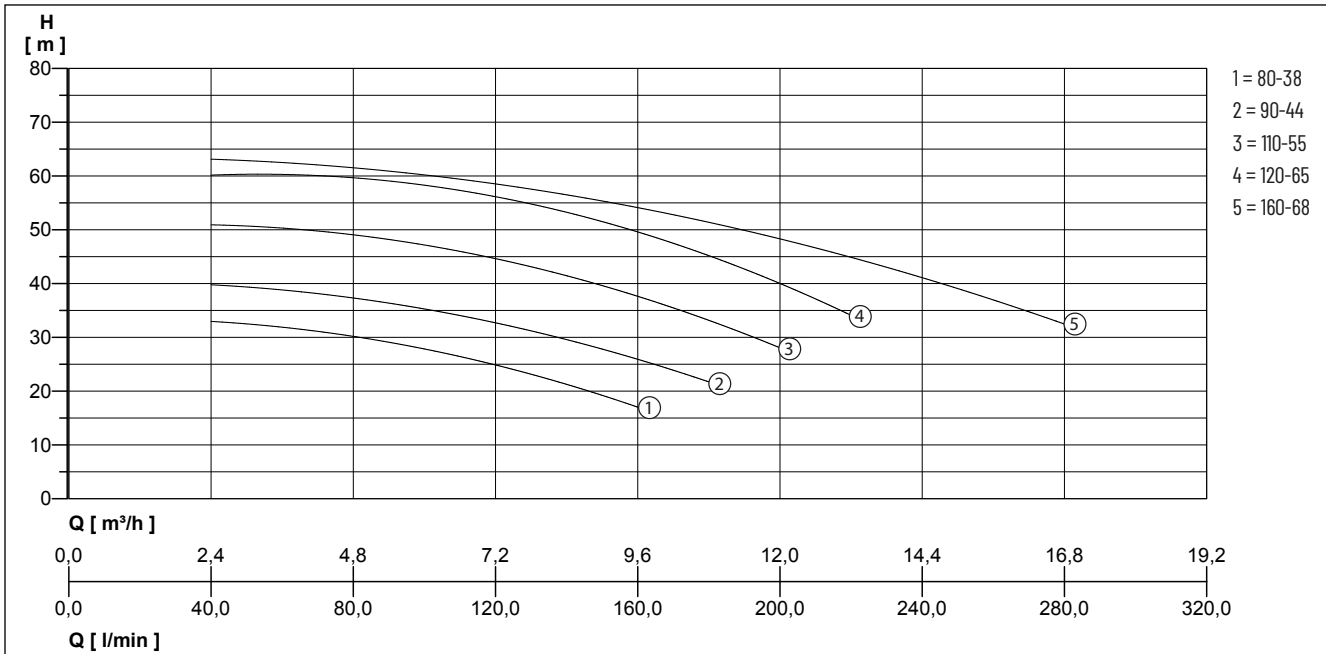
External control devices

- Two adjustable differential pressure switches ON/OFF
- ON/OFF float switch, located in the water collection tank, or
- Reverse pressure switch inserted in the water supply duct (aqueduct)

EASYBOOST - CB

BOOSTER SETS - FIX SPEED

PERFORMANCE



We reserve the right to change specifications without notice. Pump performance is subject to ISO 9906 ISO 9906:2012 - Grade 3B tolerances.

Type	Flow rate Q [m³/h]	2.4	4.8	6	9.6	10.8	12	13.2	16.8
EASY20/CB 80/38M-GI	Delivery head H [m]	33	30	28	17				
EASY20/CB 90/44M-GI		40	37	35	27	21			
EASY20/CB 110/55M-GI+110/55T-GI		51	49	47	38	33	28		
EASY20/CB 120/65M-GI+120/65T-GI		61	59	57	50	47	40	33	
EASY20/CB 160/68T-GI		61	59	54	52	49	45	32	0

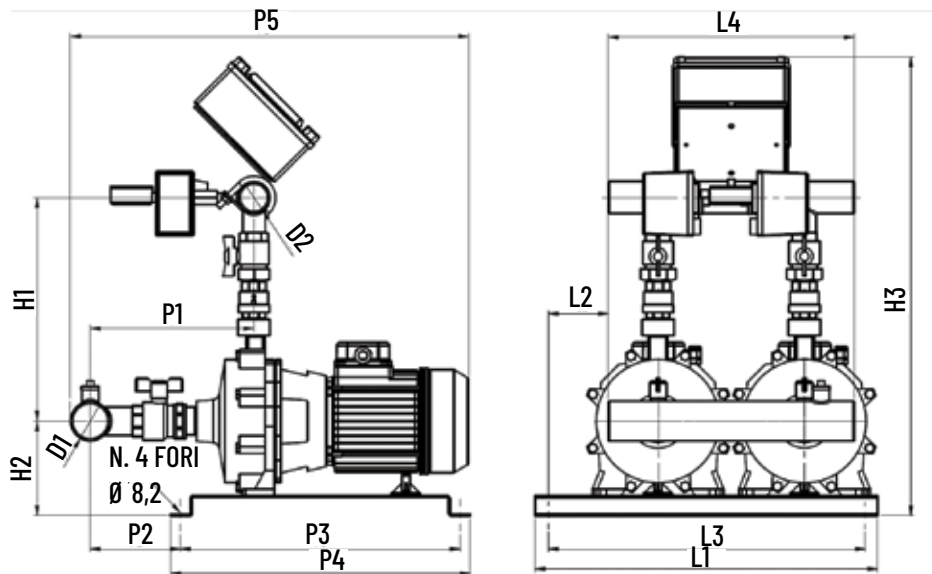
EASYBOOST - CB

Type	Code No.	Voltage	Motor rating 2xP2	Type of enclosure	Ambient temperature max.	Operating pressure max.	Weight
EASY20/CB 80/38M-GI	UP830000-EB	1/N/PE~230 V	0.55 kW	IP 44	40 °C	9 bar	34 kg
EASY20/CB 90/44M-GI	UP830100-EB	1/N/PE~230 V	0.74 kW	IP 44	40 °C	9 bar	42 kg
EASY20/CB 110/55M-GI	UP830200-EB	1/N/PE~230 V	1.10 kW	IP 44	40 °C	9 bar	62 kg
EASY20/CB 110/55T-GI	UP840200-EB	3/N/PE~400 V	1.10 kW	IP 44	40 °C	9 bar	62 kg
EASY20/CB 120/65M-GI	UP830300-EB	1/N/PE~230 V	1.50 kW	IP 44	40 °C	9 bar	-
EASY20/CB 120/65T-GI	UP840300-EB	3/N/PE~400 V	1.50 kW	IP 44	40 °C	9 bar	-
EASY20/CB 160/68T-GI	UP840400-EB	3/N/PE~400 V	2.20 kW	IP 44	40 °C	9 bar	69 kg

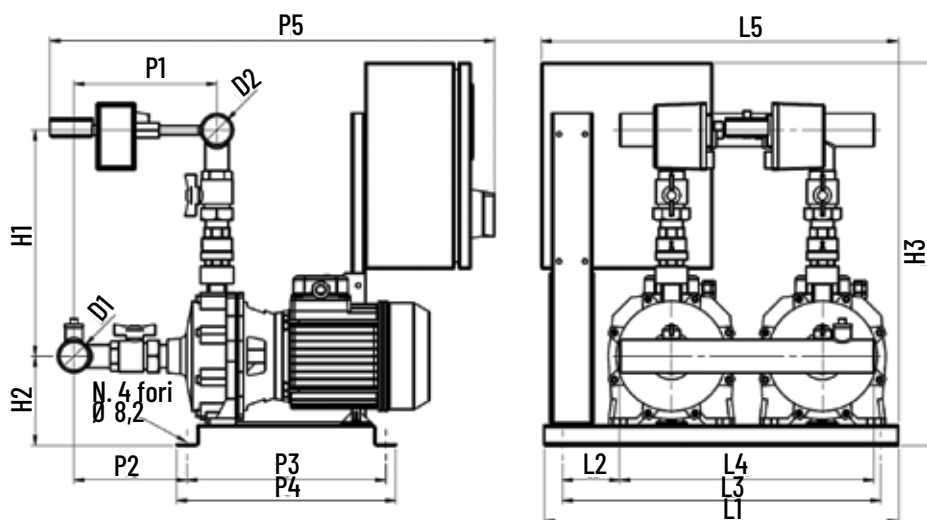
EASYBOOST - CB

BOOSTER SETS - FIX SPEED

Single phase



Three phase



EASYBOOST - CB

BOOSTER SETS - FIX SPEED

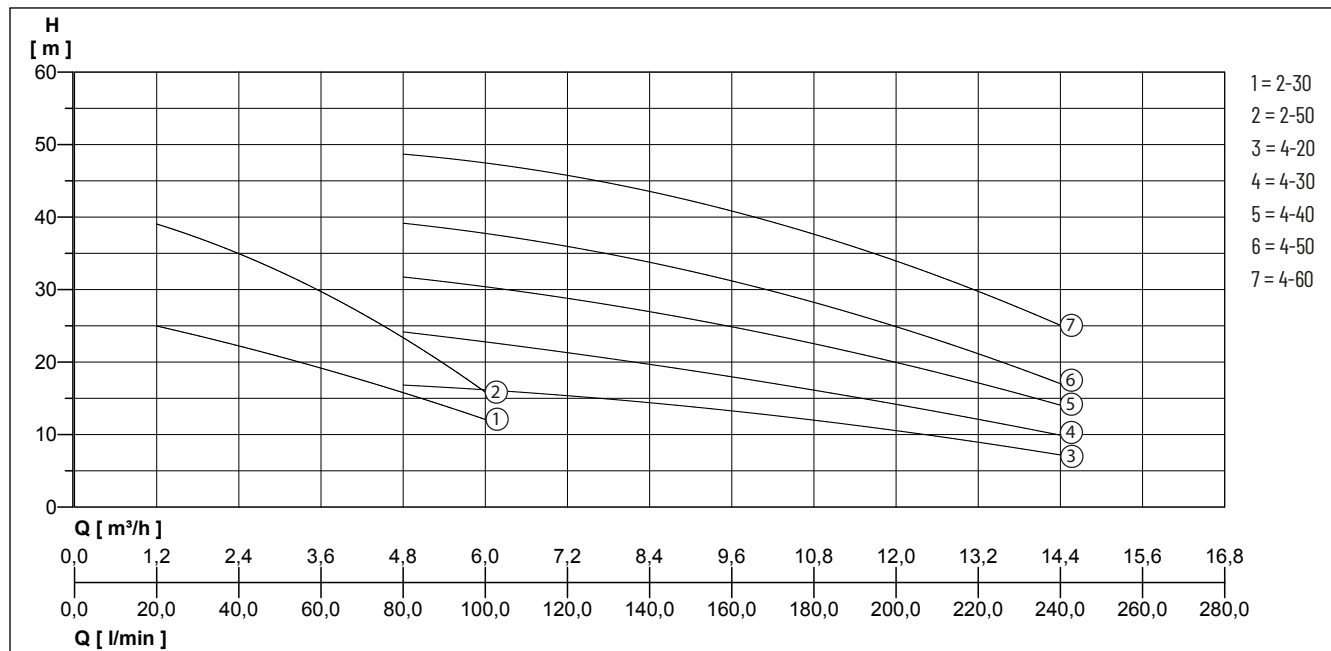
DIMENSIONS [mm]

Type	L1	L2	L3	L4	L5	P1	P2	P3	P4	P5	H1	H2	H3	D1	D2
EASY20/CB 80/38M-GI	515	95	485	370		209	165	290	320	542	328	130	671	1 1/2"	1 1/2"
EASY20/CB 90/44M-GI	515	95	485	370		209	165	290	320	542	328	130	671	1 1/2"	1 1/2"
EASY20/CB 110/55M-GI	515	95	485	370		246	135	420	450	600	335	142	690	2"	1 1/2"
EASY20/CB 110/55T-GI	515	95	485	370	520	246	135	420	450	758	335	142	690	2"	1 1/2"
EASY20/CB 120/65M-GI	515	95	485	370		246	135	420	450	600	335	142	690	2"	1 1/2"
EASY20/CB 120/65T-GI	515	95	485	370	520	246	135	420	450	758	335	142	690	2"	1 1/2"
EASY20/CB 160/68T-GI	515	95	485	370	520	246	135	420	450	758	335	142	560	2"	1 1/2"

EASYBOOST - DHR 2/4

BOOSTER SETS - FIX SPEED

PERFORMANCE



We reserve the right to change specifications without notice. Pump performance is subject to ISO 9906 ISO 9906:2012 - Grade 3B tolerances.

Type	Flow rate Q [m³/h]	1.2	3.6	4.8	6	9.6	12	14.4
EASY20/DHR2 30M-GI/30T-GI	Delivery head H [m]	25	19	16	12			
EASY20/DHR2 50M-GI/50T-GI		39	30	23	16			
EASY20/DHR4 20M-GI/20T-GI				17	16	13	11	7
EASY20/DHR4 30M-GI/30T-GI				24	23	18	14	10
EASY20/DHR4 40M-GI/40T-GI				32	30	25	20	14
EASY20/DHR4 50M-GI/50T-GI				39	38	31	25	17
EASY20/DHR4 60M-GI/60T-GI				49	47	41	34	25

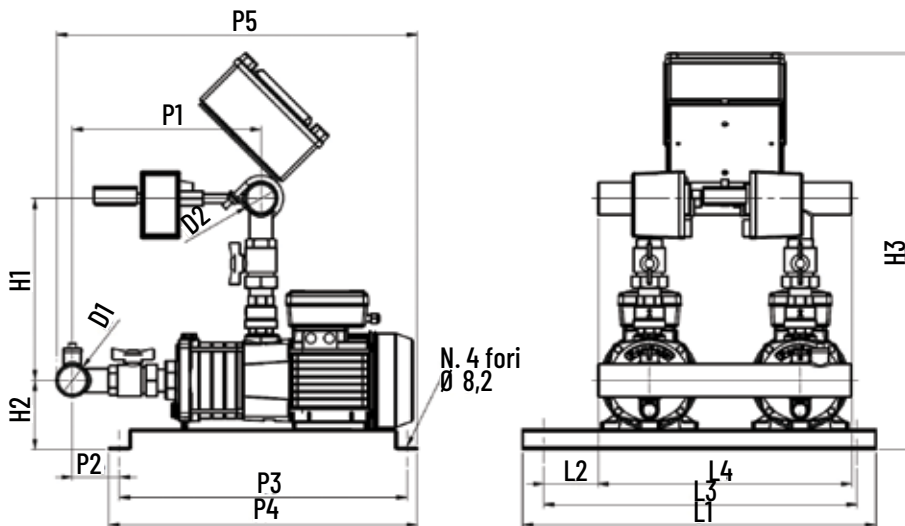
EASYBOOST - DHR 2/4

Type	Code No.	Voltage	Motor rating 2xP2	Type of enclosure	Ambient temperature max.	Operating pressure max.	Weight
EASY20/DHR2 30M-GI	UP130000-EB	1/N/PE~230 V	0.45 kW	IP 55	50 °C	10 bar	32 kg
EASY20/DHR2 30T-GI	UP140000-EB	3/N/PE~400 V	0.30 kW	IP 55	50 °C	10 bar	32 kg
EASY20/DHR2 50M-GI	UP130100-EB	1/N/PE~230 V	0.45 kW	IP 55	50 °C	10 bar	35 kg
EASY20/DHR2 50T-GI	UP140100-EB	3/N/PE~400 V	0.50 kW	IP 55	50 °C	10 bar	35 kg
EASY20/DHR4 20M-GI	UP330000-EB	1/N/PE~230 V	0.45 kW	IP 55	50 °C	10 bar	34 kg
EASY20/DHR4 20T-GI	UP340000-EB	3/N/PE~400 V	0.37 kW	IP 55	50 °C	10 bar	34 kg
EASY20/DHR4 30M-GI	UP330100-EB	1/N/PE~230 V	0.45 kW	IP 55	50 °C	10 bar	34 kg
EASY20/DHR4 30T-GI	UP340100-EB	3/N/PE~400 V	0.50 kW	IP 55	50 °C	10 bar	34 kg
EASY20/DHR4 40M-GI	UP330200-EB	1/N/PE~230 V	0.55 kW	IP 55	50 °C	10 bar	36 kg
EASY20/DHR4 40T-GI	UP340200-EB	3/N/PE~400 V	0.70 kW	IP 55	50 °C	10 bar	36 kg
EASY20/DHR4 50M-GI	UP330300-EB	1/N/PE~230 V	0.75 kW	IP 55	50 °C	10 bar	40 kg
EASY20/DHR4 50T-GI	UP340300-EB	3/N/PE~400 V	0.90 kW	IP 55	50 °C	10 bar	40 kg
EASY20/DHR4 60M-GI	UP330400-EB	1/N/PE~230 V	1.30 kW	IP 55	50 °C	10 bar	46 kg
EASY20/DHR4 60T-GI	UP340400-EB	3/N/PE~400 V	1.20 kW	IP 55	50 °C	10 bar	46 kg

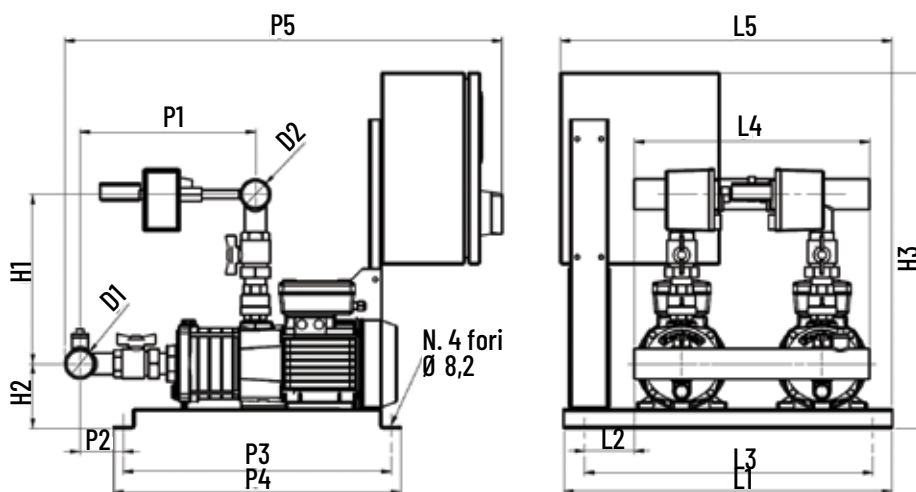
EASYBOOST - DHR 2/4

BOOSTER SETS - FIX SPEED

Single phase - DHR 2



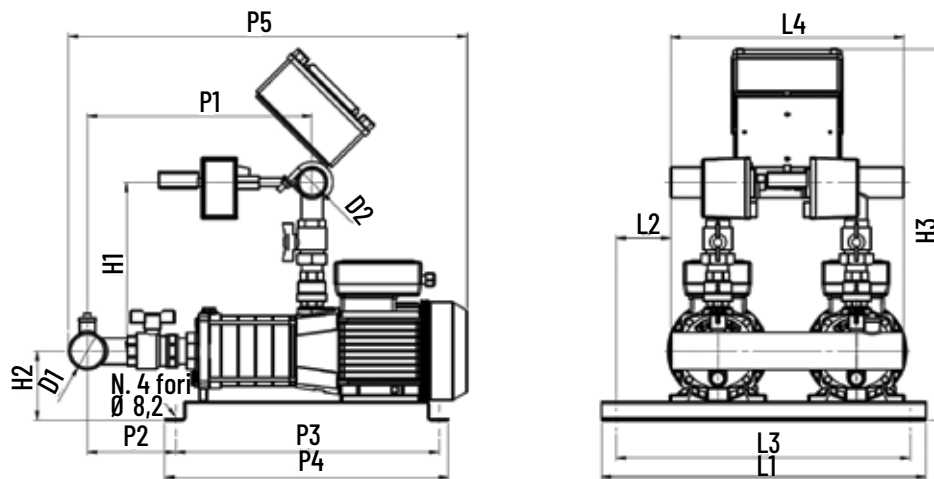
Three phase - DHR 2



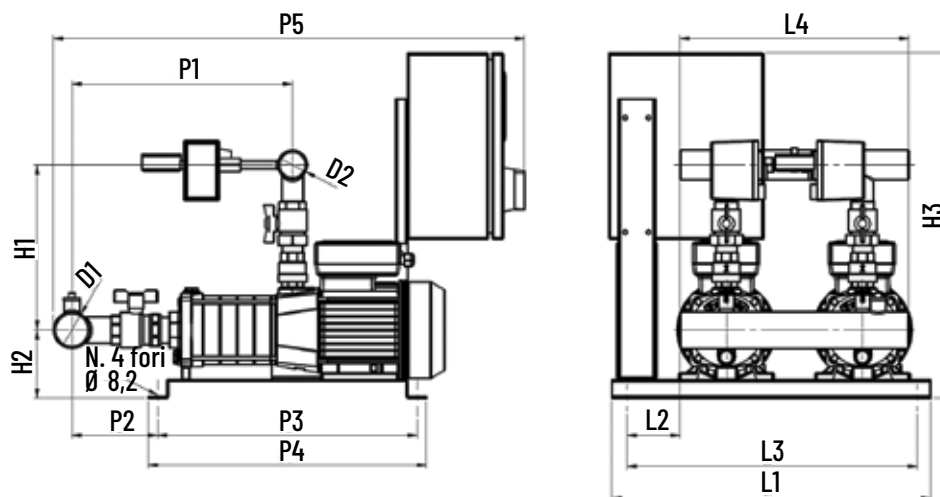
EASYBOOST - DHR 2/4

BOOSTER SETS - FIX SPEED

Single phase - DHR 4



Three phase - DHR 4



EASYBOOST - DHR 2/4

BOOSTER SETS - FIX SPEED

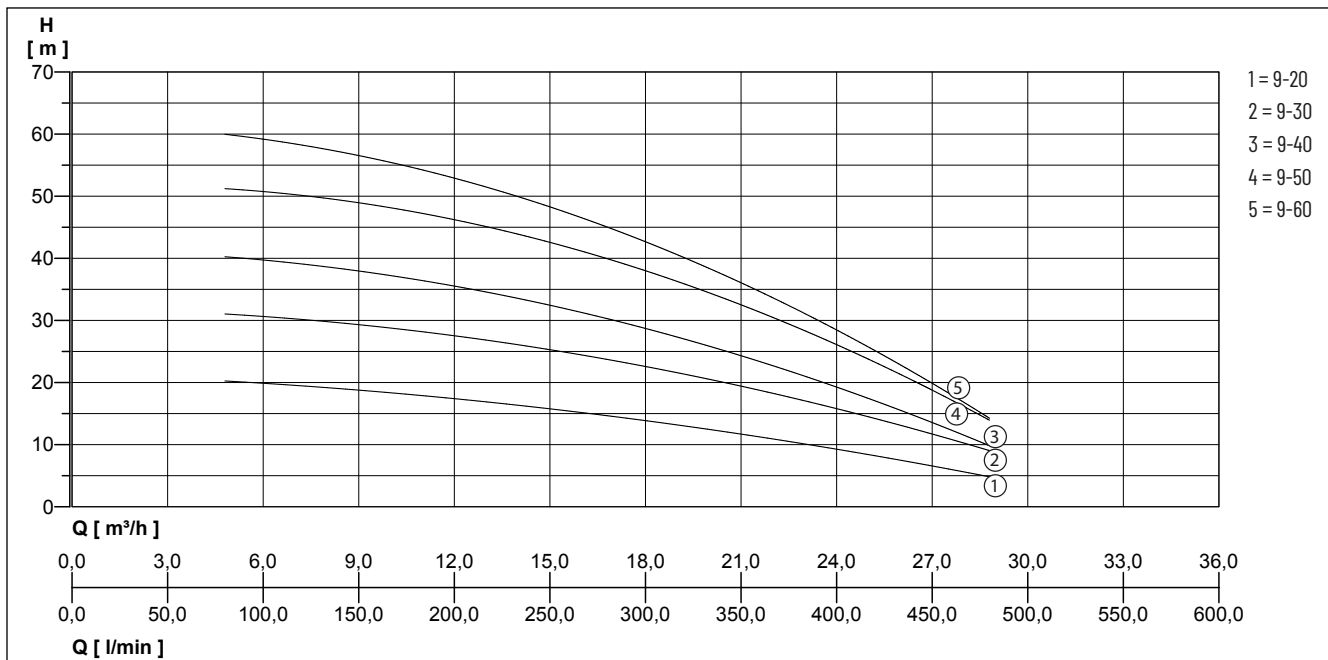
DIMENSIONS [mm]

Type	L1	L2	L3	L4	L5	P1	P2	P3	P4	P5	H1	H2	H3	D1	D2
EASY20/DHR2 30M-GI	515	95	485	370		239	35	420	450	493	265	100	578	1 1/2"	1 1/2"
EASY20/DHR2 30T-GI	515	95	485	370	520	239	35	420	450	651	265	100	560	1 1/2"	1 1/2"
EASY20/DHR2 50M-GI	515	95	485	370		275	68	420	450	597	265	100	578	1 1/2"	1 1/2"
EASY20/DHR2 50T-GI	515	95	485	370	520	275	68	420	450	685	265	100	560	1 1/2"	1 1/2"
EASY20/DHR4 20M-GI	515	95	485	370		276	69	420	450	505	265	100	580	2"	1 1/2"
EASY20/DHR4 20T-GI	515	95	485	370	520	276	69	420	450	687	265	100	560	2"	1 1/2"
EASY20/DHR4 30M-GI	515	95	485	370		276	69	420	450	505	265	100	580	2"	1 1/2"
EASY20/DHR4 30T-GI	515	95	485	370	520	276	69	420	450	687	265	100	560	2"	1 1/2"
EASY20/DHR4 40M-GI	515	95	485	370		303	96	420	450	531	265	100	580	2"	1 1/2"
EASY20/DHR4 40T-GI	515	95	485	370	520	303	96	420	450	714	265	100	560	2"	1 1/2"
EASY20/DHR4 50M-GI	515	95	485	370		330	123	420	450	558	265	100	580	2"	1 1/2"
EASY20/DHR4 50T-GI	515	95	485	370	520	330	123	420	450	740	265	100	560	2"	1 1/2"
EASY20/DHR4 60M-GI	515	95	485	370		357	138	420	450	632	267	110	590	2"	1 1/2"
EASY20/DHR4 60T-GI	515	95	485	370	520	357	138	420	450	762	267	110	560	2"	1 1/2"

EASYBOOST - DHR 9

BOOSTER SETS - FIX SPEED

PERFORMANCE



We reserve the right to change specifications without notice. Pump performance is subject to ISO 9906 ISO 9906:2012 - Grade 3B tolerances.

Type	Flow rate Q [m ³ /h]	4.8	9.6	14.4	19.2	24	28.8
EASY20/DHR9 20M-GI/20T-GI	Delivery head H [m]	20	19	16	13	9	5
EASY20/DHR9 30M-GI/30T-GI		31	29	26	21	16	9
EASY20/DHR9 40M-GI/40T-GI		40	38	33	27	19	10
EASY20/DHR9 50M-GI/50T-GI		51	49	43	36	26	14
EASY20/DHR9 60T-GI		60	56	49	40	29	14

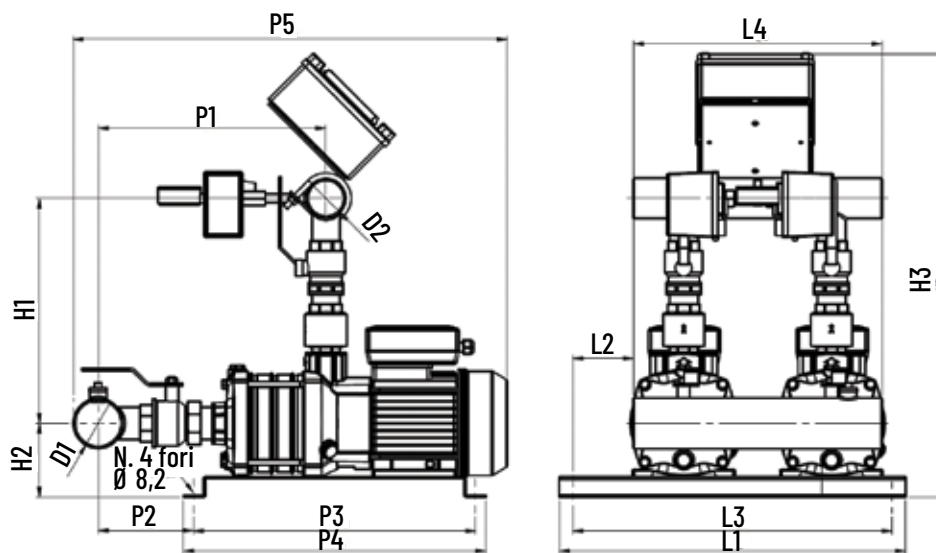
EASYBOOST - DHR 9

Type	Code No.	Voltage	Motor rating 2xP2	Type of en- closure	Ambient tem- perature max.	Operating pres- sure max.	Weight
EASY20/DHR9 20M-GI	UP930000-EB	1/N/PE~230 V	0.90 kW	IP 55	50 °C	10 bar	54 kg
EASY20/DHR9 20T-GI	UP940000-EB	3/N/PE~400 V	0.65 kW	IP 55	50 °C	10 bar	54 kg
EASY20/DHR9 30M-GI	UP930100-EB	1/N/PE~230 V	0.90 kW	IP 55	50 °C	10 bar	55 kg
EASY20/DHR9 30T-GI	UP940100-EB	3/N/PE~400 V	0.95 kW	IP 55	50 °C	10 bar	55 kg
EASY20/DHR9 40M-GI	UP930200-EB	1/N/PE~230 V	1.30 kW	IP 55	50 °C	10 bar	57 kg
EASY20/DHR9 40T-GI	UP940200-EB	3/N/PE~400 V	1.30 kW	IP 55	50 °C	10 bar	57 kg
EASY20/DHR9 50M-GI	UP930300-EB	1/N/PE~230 V	1.30 kW	IP 55	50 °C	10 bar	62 kg
EASY20/DHR9 50T-GI	UP940300-EB	3/N/PE~400 V	1.60 kW	IP 55	50 °C	10 bar	62 kg
EASY20/DHR9 60T-GI	UP940400-EB	3/N/PE~400 V	1.90 kW	IP 55	50 °C	10 bar	65 kg

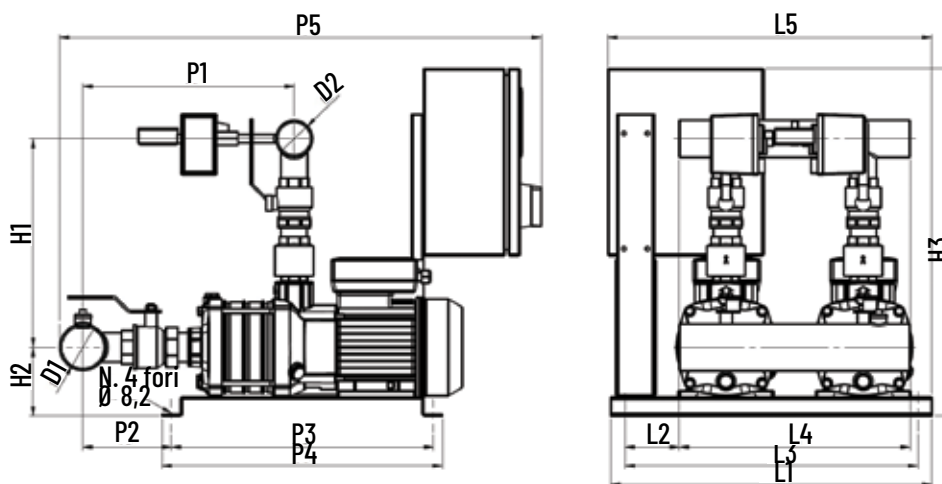
EASYBOOST - DHR 9

BOOSTER SETS - FIX SPEED

Single phase



Three phase



EASYBOOST - DHR 9

BOOSTER SETS - FIX SPEED

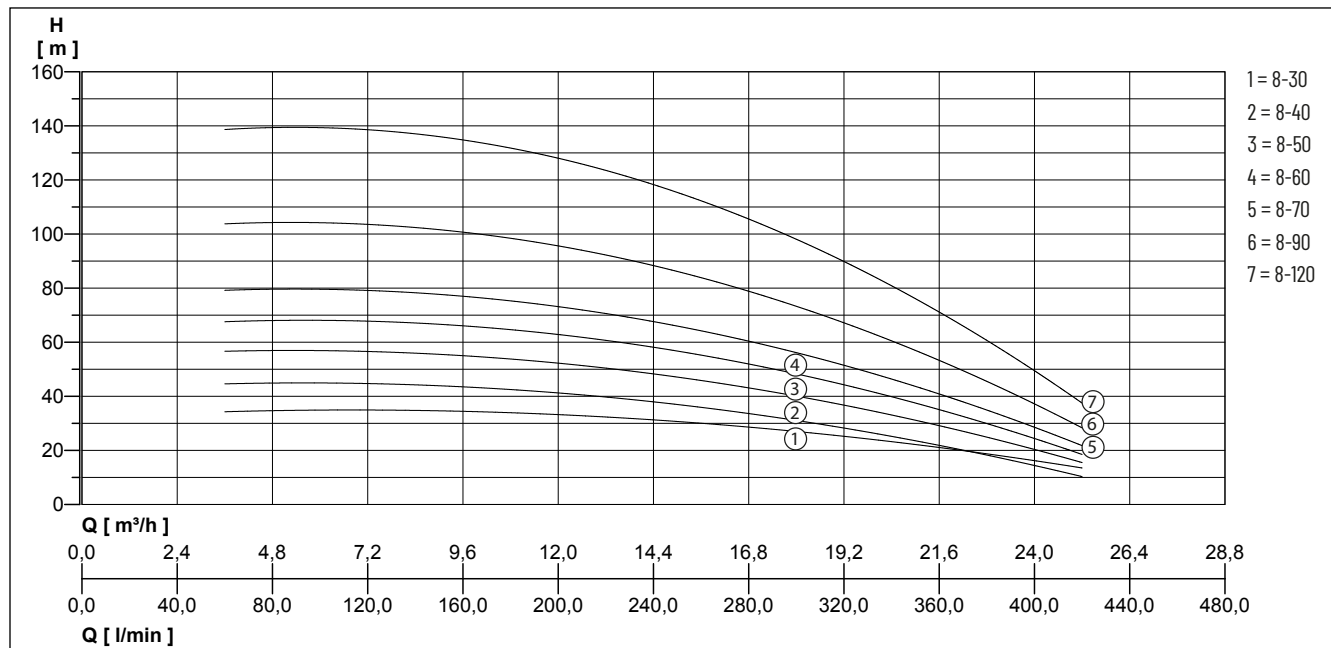
DIMENSIONS [mm]

Type	L1	L2	L3	L4	L5	P1	P2	P3	P4	P5	H1	H2	H3	D1	D2
EASY20/DHR9 20M-GI	515	95	485	370		280	82	420	450	713	335	110	660	2 1/2"	2"
EASY20/DHR9 20T-GI	515	95	485	370	520	280	82	420	450	713	335	110	560	2 1/2"	2"
EASY20/DHR9 30M-GI	515	95	485	370		280	82	420	450	713	335	110	660	2 1/2"	2"
EASY20/DHR9 30T-GI	515	95	485	370	520	280	82	420	450	713	335	110	560	2 1/2"	2"
EASY20/DHR9 40M-GI	515	95	485	370		310	112	420	450	743	335	110	660	2 1/2"	2"
EASY20/DHR9 40T-GI	515	95	485	370	520	310	112	420	450	743	335	110	560	2 1/2"	2"
EASY20/DHR9 50M-GI	515	95	485	370		340	142	420	450	773	335	110	660	2 1/2"	2"
EASY20/DHR9 50T-GI	515	95	485	370	520	340	142	420	450	773	335	110	560	2 1/2"	2"
EASY20/DHR9 60T-GI	515	95	485	370	520	370	172	420	450	803	335	110	560	2 1/2"	2"

EASYBOOST 20 MULTINOX VE +

BOOSTER SETS - FIX SPEED

PERFORMANCE



We reserve the right to change specifications without notice. Pump performance is subject to ISO 9906 ISO 9906:2012 - Grade 3B tolerances.

Type	Flow rate Q [m³/h]	0	3.6	7.2	10.8	14.4	18	21.6	25.2
EASY20 MULTINOX VE+ 8-30 M/T GI	Delivery head H [m]	36	35	35	33	30	25	28	10
EASY20 MULTINOX VE+ 8-40 M/T GI		46	45	44	42	39	32	20	11
EASY20 MULTINOX VE+ 8-50 M/T GI		57	57	56	53	50	40	28	16
EASY20 MULTINOX VE+ 8-60 T GI		69	68	67	64	60	48	34	19
EASY20 MULTINOX VE+ 8-70 T GI		80	80	78	74	70	56	40	22
EASY20 MULTINOX VE+ 8-90 T GI		105	104	103	98	90	73	52	29
EASY20 MULTINOX VE+ 8-120 T GI		140	139	138	131	120	98	70	38

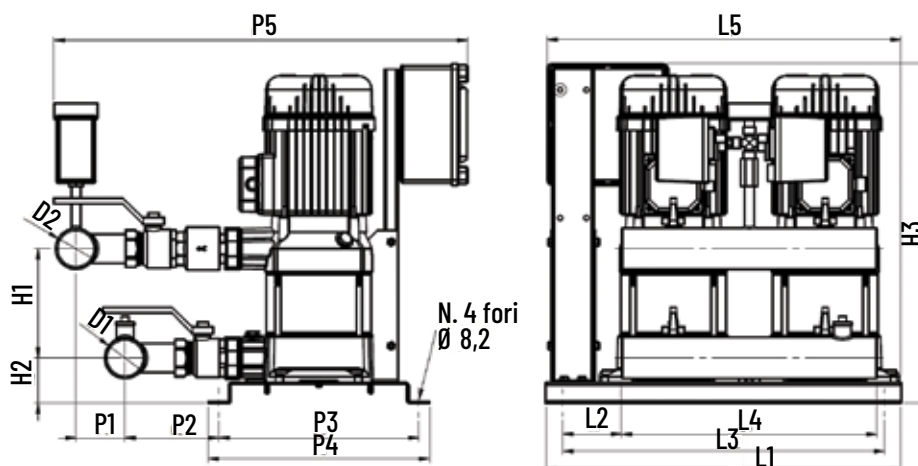
EASYBOOST 20 MULTINOX VE +

Type	Code No.	Voltage	Motor rating 2xP2	Type of enclosure	Ambient temperature max.	Operating pressure max.	Weight
EASY20 MULTINOX VE+ 8-30 M GI	UPG01030-EB	1/N/PE~230 V	0.9 kW	IP 44	50 °C	14 bar	69 kg
EASY20 MULTINOX VE+ 8-30 T GI	UPG11030-EB	3/N/PE~400 V	1.0 kW	IP 44	50 °C	14 bar	75 kg
EASY20 MULTINOX VE+ 8-40 M GI	241PL292	1/N/PE~230 V	1.3 kW	IP 44	50 °C	14 bar	73 kg
EASY20 MULTINOX VE+ 8-40 T GI	UPG11040-EB	3/N/PE~400 V	1.2 kW	IP 44	50 °C	14 bar	79 kg
EASY20 MULTINOX VE+ 8-50 M GI	241PL302	1/N/PE~230 V	1.3 kW	IP 44	50 °C	14 bar	77 kg
EASY20 MULTINOX VE+ 8-50 T GI	UPG11050-EB	3/N/PE~400 V	1.5 kW	IP 44	50 °C	14 bar	83 kg
EASY20 MULTINOX VE+ 8-60 T GI	UPG11060-EB	3/N/PE~400 V	1.7 kW	IP 44	50 °C	14 bar	87 kg
EASY20 MULTINOX VE+ 8-70 T GI	UPG11070-EB	3/N/PE~400 V	1.9 kW	IP 44	50 °C	14 bar	91 kg
EASY20 MULTINOX VE+ 8-90 T GI	UPG11090-EB	3/N/PE~400 V	3.0 kW	IP 44	50 °C	14 bar	109 kg
EASY20 MULTINOX VE+ 8-120 T GI	UPG11120-EB	3/N/PE~400 V	4.0 kW	IP 44	50 °C	14 bar	115 kg

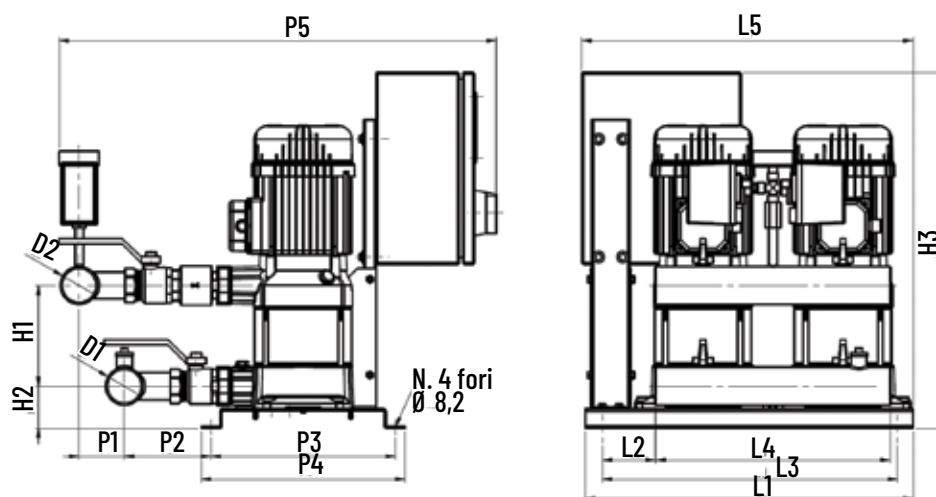
EASYBOOST 20 MULTINOX VE +

BOOSTER SETS - FIX SPEED

Single phase



Three phase



EASYBOOST 20 MULTINOX VE +

BOOSTER SETS - FIX SPEED

DIMENSIONS [mm]

Type	L1	L2	L3	L4	L5	P1	P2	P3	P4	P5	H1	H2	H3	D1	D2
EASY20 MULTINOX VE+ 8-30 M GI	515	95	485	370	520	71	138	290	320	675	130	64	510	2"	2"
EASY20 MULTINOX VE+ 8-30 T GI	515	95	485	370	520	71	138	290	320	690	130	64	560	2"	2"
EASY20 MULTINOX VE+ 8-40 M GI	515	95	485	370	520	71	138	290	320	675	157	64	510	2"	2"
EASY20 MULTINOX VE+ 8-40 T GI	515	95	485	370	520	71	138	290	320	690	157	64	560	2"	2"
EASY20 MULTINOX VE+ 8-50 M GI	515	95	485	370	520	71	138	290	320	675	184	64	510	2"	2"
EASY20 MULTINOX VE+ 8-50 T GI	515	95	485	370	520	71	138	290	320	690	184	64	560	2"	2"
EASY20 MULTINOX VE+ 8-60 T GI	515	95	485	370	520	71	138	290	320	690	211	64	560	2"	2"
EASY20 MULTINOX VE+ 8-70 T GI	515	95	485	370	520	71	138	290	320	690	238	64	560	2"	2"
EASY20 MULTINOX VE+ 8-90 T GI	515	95	485	370	520	71	138	290	320	690	292	64	750	2"	2"
EASY20 MULTINOX VE+ 8-120 T GI	515	95	485	370	520	71	138	290	320	690	292	64	750	2"	2"