

EASY20/MULTI EVO

BOOSTER SETS - FIX SPEED

- Compact dimensions
- Sturdy and resistant
- High hydraulic efficiency
- High-efficiency motors according to EU(2019)/1781



DESCRIPTION

They are booster set for the automatic pressurization of water distribution systems with single phase power supply consisting of: 2 pumps, electrical panel, base, intake and delivery manifolds, pressure switches, pressure gauge and check valve in supply.

DESCRIPTION OF OPERATION

The pumps are controlled by two pressure switches with adjustable settings, via an electrical panel with an electronic board for:

- the sequential start-up of the pumps
- the inversion of the start-up order
- the settings for protection against dry running
- timer (adjustable from 0 to 180»)

When the network pressure reaches the value for the closing of the electrical contact of pressure switch n.1, a pump starts. If the pressure continues to drop, once the value of the closing pressure of the second pressure switch has been reached, the other pump starts. When the value of the network pressure increases, the pressure switches open their contact causing the relative pump to stop. At the end of each cycle, the automatic inverter changes the starting order of the pumps (once pressure switch n.1 is associated to pump n.1; in the next cycle to pump n.2).

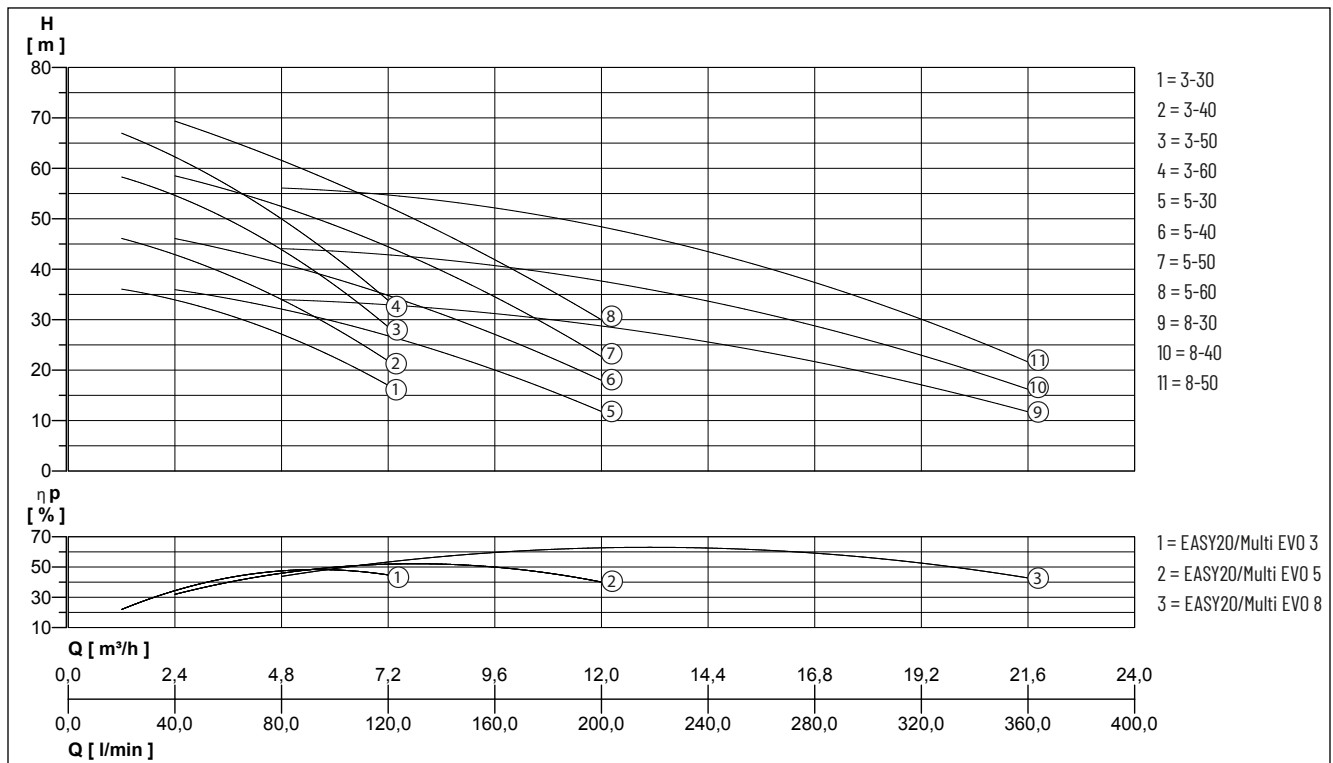
APPLICATIONS

- Lifting and distribution of water in domestic systems in continuous or intermittent operation
- Pressurization systems
- Washing systems
- Irrigation

EASY20/MULTI EVO

BOOSTER SETS - FIX SPEED

PERFORMANCE



We reserve the right to change specifications without notice. Pump performance is subject to ISO 9906 ISO 9906:2012 - Grade 3B tolerances.

Type	Flow rate Q [m³/h]	1.2	2.4	3.6	4.8	6	7.2	9.6	12	14.4	16.8	19.2	21.6
EASY20/Multi EVO 3-30 M/T - GI	Delivery head H [m]	36.0	34.0	31.0	27.0	22.5	17.0						
EASY20/Multi EVO 3-40 M/T - GI		46.0	43.0	39.0	34.0	28.0	22.0						
EASY20/Multi EVO 3-50 M/T - GI		58.0	55.0	50.0	44.0	36.0	29.0						
EASY20/Multi EVO 3-60 M/T - GI		67.0	62.0	57.0	50.0	42.0	34.0						
EASY20/Multi EVO 5-30 M/T - GI			36.0	34.0	32.0	30.0	27.0	19.5	12.0				
EASY20/Multi EVO 5-40 M/T - GI			46.0	44.0	41.0	38.0	35.0	27.0	18.0				
EASY20/Multi EVO 5-50 M/T - GI			58.0	56.0	53.0	49.0	44.0	34.0	23.0				
EASY20/Multi EVO 5-60 M/T - GI			69.0	66.0	62.0	57.0	52.0	42.0	30.0				
EASY20/Multi EVO 8-30 M/T - GI					34.0	33.5	33.0	31.0	29.0	25.5	22.0	16.5	12.0
EASY20/Multi EVO 8-40 M/T - GI					44.5	43.5	42.5	40.5	37.5	34.0	29.0	23.0	16.0
EASY20/Multi EVO 8-50 M/T - GI					56.5	55.5	54.5	51.5	48.5	44.0	37.5	30.0	21.5

MECHANICAL DATA

Operating pressure max.	8 bar	Temperature of the liquid max.	40 °C
Type of liquid	clean water without suspended solids or abrasive material		

ELECTRICAL DATA

Type of enclosure	IP 55	Frequency	50 Hz
Ambient temperature max.	40 °C		

EASY20/MULTI EVO

BOOSTER SETS - FIX SPEED

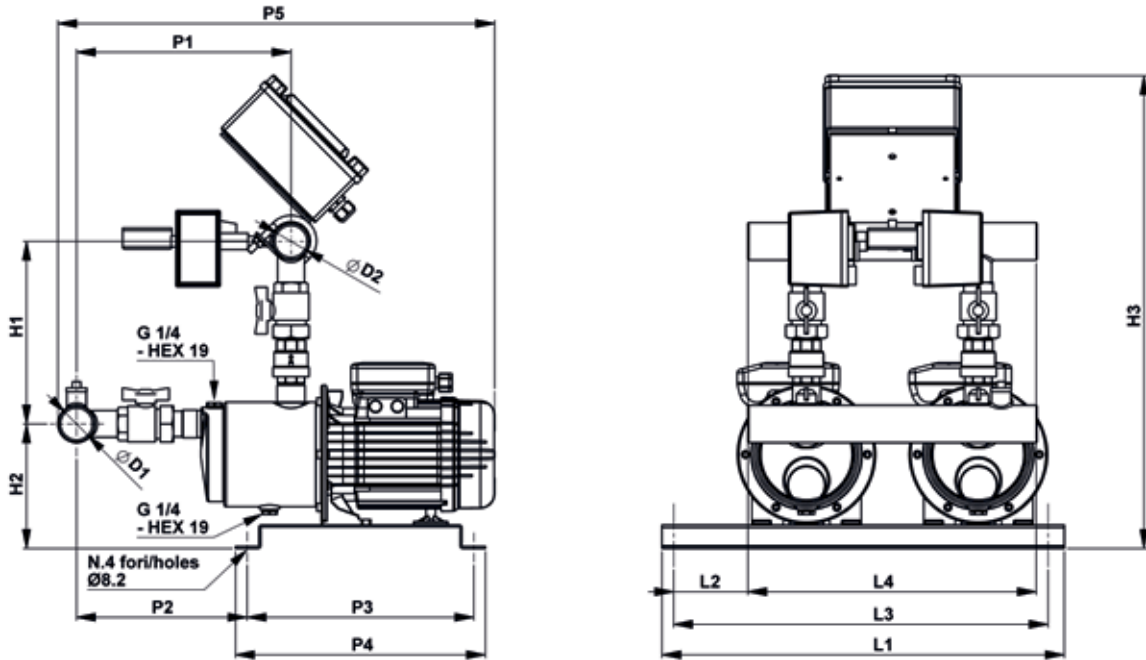
EASY20/MULTI EVO

Type	Code No.	Voltage	Motor rating 2xP2	Weight
EASY20/Multi EVO 3-30 M - GI	UP630600-EB	1/N/PE~230 V	0.37 kW	31.0 kg
EASY20/Multi EVO 3-30 T - GI	UP640600-EB	3/N/PE~400 V	0.40 kW	37.0 kg
EASY20/Multi EVO 3-40 M - GI	UP630700-EB	1/N/PE~230 V	0.40 kW	32.0 kg
EASY20/Multi EVO 3-40 T - GI	UP640700-EB	3/N/PE~400 V	0.50 kW	38.0 kg
EASY20/Multi EVO 3-50 M - GI	UP630800-EB	1/N/PE~230 V	0.55 kW	36.0 kg
EASY20/Multi EVO 3-50 T - GI	UP640800-EB	3/N/PE~400 V	0.75 kW	42.0 kg
EASY20/Multi EVO 3-60 M - GI	UP630900-EB	1/N/PE~230 V	0.75 kW	39.5 kg
EASY20/Multi EVO 3-60 T - GI	UP640900-EB	3/N/PE~400 V	0.82 kW	45.5 kg
EASY20/Multi EVO 5-30 M - GI	UP631000-EB	1/N/PE~230 V	0.40 kW	33.5 kg
EASY20/Multi EVO 5-30 T - GI	UP641000-EB	3/N/PE~400 V	0.50 kW	39.5 kg
EASY20/Multi EVO 5-40 M - GI	UP631100-EB	1/N/PE~230 V	0.55 kW	37.0 kg
EASY20/Multi EVO 5-40 T - GI	UP641100-EB	3/N/PE~400 V	0.75 kW	43.0 kg
EASY20/Multi EVO 5-50 M - GI	UP631200-EB	1/N/PE~230 V	0.75 kW	40.0 kg
EASY20/Multi EVO 5-50 T - GI	UP641200-EB	3/N/PE~400 V	0.90 kW	46.0 kg
EASY20/Multi EVO 5-60 M - GI	UP631300-EB	1/N/PE~230 V	1.30 kW	46.0 kg
EASY20/Multi EVO 5-60 T - GI	UP641300-EB	3/N/PE~400 V	1.20 kW	52.0 kg
EASY20/Multi EVO 8-30 M - GI	UP631400-EB	1/N/PE~230 V	0.75 kW	42.0 kg
EASY20/Multi EVO 8-30 T - GI	UP641400-EB	3/N/PE~400 V	0.90 kW	48.0 kg
EASY20/Multi EVO 8-40 M - GI	UP631500-EB	1/N/PE~230 V	1.30 kW	48.0 kg
EASY20/Multi EVO 8-40 T - GI	UP641500-EB	3/N/PE~400 V	1.18 kW	54.0 kg
EASY20/Multi EVO 8-50 M - GI	UP631600-EB	1/N/PE~230 V	1.30 kW	50.0 kg
EASY20/Multi EVO 8-50 T - GI	UP641600-EB	3/N/PE~400 V	1.40 kW	56.0 kg

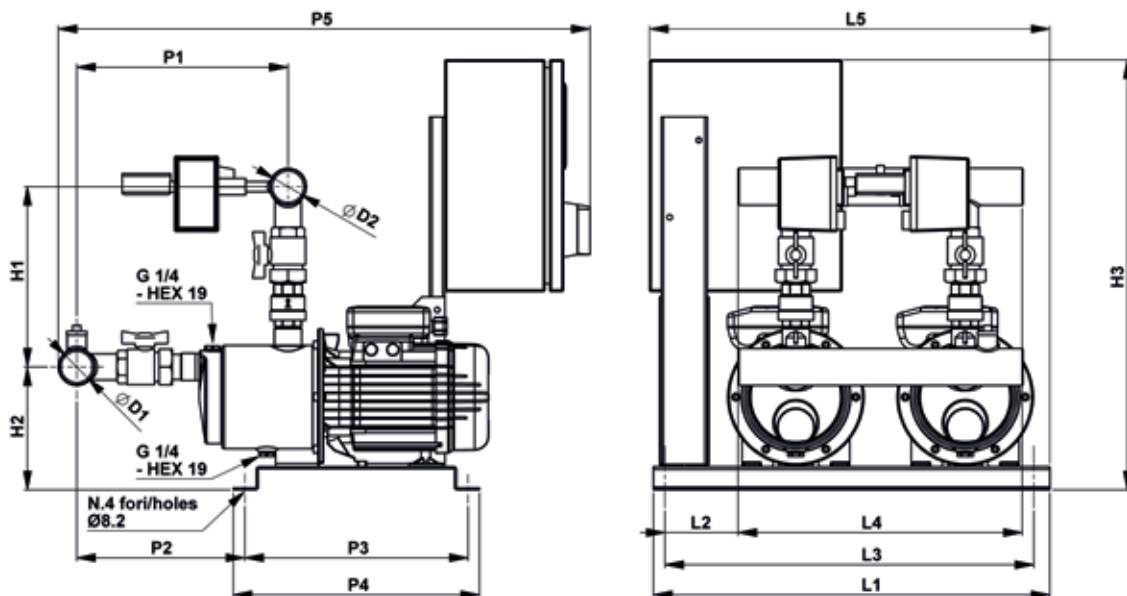
EASY20/MULTI EVO

BOOSTER SETS - FIX SPEED

Single-phase



Three-phase



EASY20/MULTI EVO

BOOSTER SETS - FIX SPEED

DIMENSIONS [mm]

Type	L1	L2	L3	L4	L5	P1	P2	P3	P4	P5	H1	H2	H3	DNA	DNM
EASY20/Multi EVO 3-30 M - GI	515	95	485	370		255	196	290	320	525	235	160	605	11/2"	11/2"
EASY20/Multi EVO 3-30 T - GI	515	95	485	370	520	255	196	290	320	670	235	160	560	11/2"	11/2"
EASY20/Multi EVO 3-40 M - GI	515	95	485	370		255	196	290	320	525	235	160	605	11/2"	11/2"
EASY20/Multi EVO 3-40 T - GI	515	95	485	370	520	255	196	290	320	670	235	160	560	11/2"	11/2"
EASY20/Multi EVO 3-50 M - GI	515	95	485	370		275	216	290	320	560	235	160	605	11/2"	11/2"
EASY20/Multi EVO 3-50 T - GI	515	95	485	370	520	275	216	290	320	690	235	160	560	11/2"	11/2"
EASY20/Multi EVO 3-60 M - GI	515	95	485	370		297	238	290	320	580	235	160	605	11/2"	11/2"
EASY20/Multi EVO 3-60 T - GI	515	95	485	370	520	297	238	290	320	715	235	160	560	11/2"	11/2"
EASY20/Multi EVO 5-30 M - GI	515	95	485	370		275	222	290	320	550	240	155	605	2"	11/2"
EASY20/Multi EVO 5-30 T - GI	515	95	485	370	520	275	222	290	320	695	240	155	560	2"	11/2"
EASY20/Multi EVO 5-40 M - GI	515	95	485	370		275	222	290	320	560	240	155	605	2"	11/2"
EASY20/Multi EVO 5-40 T - GI	515	95	485	370	520	275	222	290	320	695	240	155	560	2"	11/2"
EASY20/Multi EVO 5-50 M - GI	515	95	485	370		300	247	290	320	590	240	155	605	2"	11/2"
EASY20/Multi EVO 5-50 T - GI	515	95	485	370	520	300	247	290	320	695	240	155	560	2"	11/2"
EASY20/Multi EVO 5-60 M - GI	515	95	485	370		320	267	290	320	645	240	155	605	2"	11/2"
EASY20/Multi EVO 5-60 T - GI	515	95	485	370	520	320	267	290	320	745	240	155	560	2"	11/2"
EASY20/Multi EVO 8-30 M - GI	515	95	485	370		296	240	290	320	585	292	155	660	2"	2"
EASY20/Multi EVO 8-30 T - GI	515	95	485	370	520	296	240	290	320	718	292	155	560	2"	2"
EASY20/Multi EVO 8-40 M - GI	515	95	485	370		296	240	290	320	620	292	155	660	2"	2"
EASY20/Multi EVO 8-40 T - GI	515	95	485	370	520	296	240	290	320	718	292	155	560	2"	2"
EASY20/Multi EVO 8-50 M - GI	515	95	485	370		325	275	290	320	645	292	155	660	2"	2"
EASY20/Multi EVO 8-50 T - GI	515	95	485	370	520	325	275	290	320	745	292	155	560	2"	2"

EASY20/MULTI EVO

BOOSTER SETS - FIX SPEED